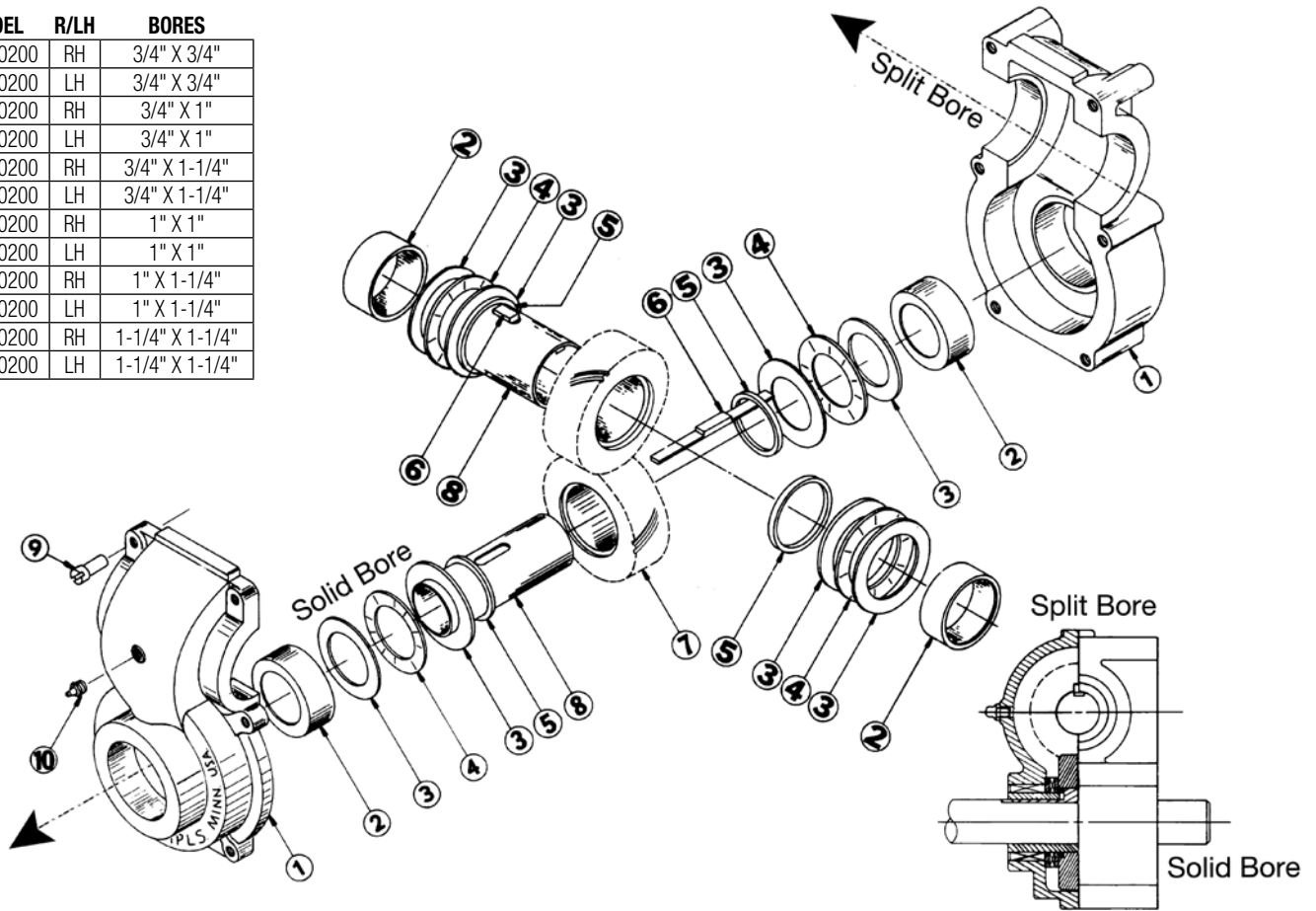


### FLOAT-A-SHAFT® Standard Series – 1:1 Ratio

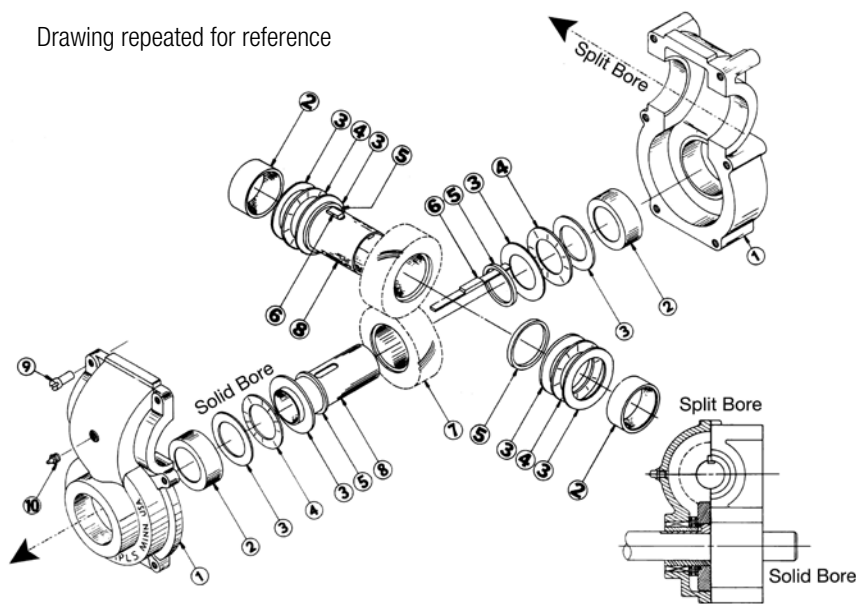
Flat Base - High Torque - Roller Bearing

MODEL	R/LH	BORES
0217-0200	RH	3/4" X 3/4"
0218-0200	LH	3/4" X 3/4"
0219-0200	RH	3/4" X 1"
0220-0200	LH	3/4" X 1"
0221-0200	RH	3/4" X 1-1/4"
0222-0200	LH	3/4" X 1-1/4"
0223-0200	RH	1" X 1"
0224-0200	LH	1" X 1"
0225-0200	RH	1" X 1-1/4"
0226-0200	LH	1" X 1-1/4"
0227-0200	RH	1-1/4" X 1-1/4"
0228-0200	LH	1-1/4" X 1-1/4"

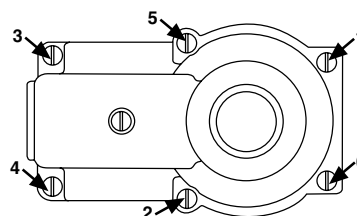


ITEM	PART NO.	DESCRIPTION	QUANTITY														
			0217-0200	0218-0200	0219-0200	0220-0200	0221-0200	0222-0200	0223-0200	0224-0200	0225-0200	0226-0200	0227-0200	0228-0200			
1.	0275-9204	GEAR CASE HOUSING, FLAT BASE	1	1	1	1	1	1	1	1	1	1	1	1	1	1	1
2.	0200-1526	BEARING, NEEDLE, ROLLER, 1-3/8" BORE	4	4	4	4	4	4	4	4	4	4	4	4	4	4	4
3.	0200-1326	WASHER, THRUST, 1-3/8" BORE	8	8	8	8	8	8	8	8	8	8	8	8	8	8	8
4.	0200-1222	BEARING, THRUST, 1-3/8" BORE	4	4	4	4	4	4	4	4	4	4	4	4	4	4	4
5.	0200-1332	SPACER, PL, CELCON RING, .09" THICK	4	4	4	4	4	4	4	4	4	4	4	4	4	4	4
6.	0200-1500	KEY, STEP, 1/4" X 5/16"					1	1				1	1	2	2		
	0200-1501	KEY, STEP, 1/4" X 7/16"			1	1			2	2	1	1					
	0200-1502	KEY, STEP, 3/16" X 1/2"	2	2	1	1	1	1									
7.	0200-1113	GEAR, 25 T, LH				1		1			2		2			2	
	0200-2113	GEAR, 25 T, RH			1		1		2		2		2				
	0200-1111	GEAR, 25 T, LH		2		1	1										
	0200-2111	GEAR, 25 T, RH	2		1		1										
8.	0200-3525	BUSHING, SLEEVE, STEEL, 3/4" BORE	2	2	1	1	1	1									
	0200-3526	BUSHING, SLEEVE, STEEL, 1" BORE			1	1			2	2	1	1					
	0200-3519	BUSHING, SLEEVE, STEEL, 1-1/4" BORE					1	1				1	1	2	2		
9.	0200-1812	SCREW, FILL HD, 1/4-20	6	6	6	6	6	6	6	6	6	6	6	6	6	6	6
10.	0100-1601	ZERK GREASE FITTING, 1/4-28	1	1	1	1	1	1	1	1	1	1	1	1	1	1	1
11.	0100-2604	SCREW, FILL HD, 1/4-28	1	1	1	1	1	1	1	1	1	1	1	1	1	1	1

Drawing repeated for reference

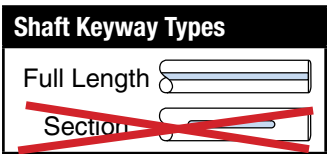


Gear (7) over the Sleeve Bushing (8) positioning it over Key (6). Install Plastic Spacer (5) on both sides of gear. Lubricate all bearings and the gear manually (See "Lubrication"). Install a Thrust Washer (3), Thrust Bearing (4), and Thrust Washer (3) on each side of gear. Insert a Roller Bearing (2) on each side of gear. Lay the completed assembly into the split bore of the Gear Case Housing (1), making sure the teeth of the gears mesh. CAUTION: When trying to get the gears to mesh, rotate the gears to prevent possible damage to the teeth. Next, cover gears and bearings with approximately 3 oz. of lubricant. To complete assembly, install the other half of the Gear Case Housing (1) and tighten the Screws (9) in the order shown here. In case of shaft binding, check for possible misalignment of the shafts or for oversized shaft diameters. Insert Zerk Grease Fitting (10).



**Installation**

Keyway MUST extend to end of shaft. IT IS NOT POSSIBLE TO USE A SECTIONED SHAFT WITH A ROLLER BEARING FLOAT-A-SHAFT. Without removing the plastic tubes, align the Float-A-Shaft® with the shaft on which it is to be used and gently press it on. Be sure the key is properly aligned with the keyway. The plastic tubes will fall out as the shaft extends through the unit. Save the plastic tubes for removal of the Float-A-Shaft® for maintenance or repair. Be sure to reinsert the plastic tubes as the shaft is withdrawn, otherwise the internal parts will slip out of position and disassembly may be required to restore proper alignment.



**Reassembly:** Reference the numbering diagram on page 1 to complete the following instructions, matching the numbers with corresponding bores.

**SOLID BORE REASSEMBLY:** Lay Gear Case Housing (1) horizontal, with inside surface facing up. Install Roller Bearing (2) in solid bores of Gear Case Housing (1). Press from inside to outside. Inside face of roller bearing must be flush with inside machined surface of gear case housing. Next, Insert Key (6) into slot of Sleeve Bushing (8) and insert the plastic tube to hold it in place. Install Gear (7) over the Sleeve Bushing (8) positioning it over Key (6). Install Plastic Spacer (5) on both sides of gear. Lubricate Roller Bearing (2), Thrust Bearing (4), and Gear (7) manually (See "Lubrication"). Install a Thrust Washer (3), Thrust Bearing (4), and Thrust Washer (3) on each side of gear. Lay the Gear Case Housing (1) horizontal, with the solid bore vertical and inside surface facing up. Install gear, sleeve and bearing assembly into the solid bore.

**SPLIT BORE REASSEMBLY:** Insert Key (6) into slot of Sleeve Bushing (8) and insert the plastic tube to hold it in place. Install

**Shaft Requirements:** Shafts should be made of power transmission steel grade 4140 or better. A tolerance of  $\pm .000/- .002$  is recommended for the shaft diameters. The shaft surfaces should be 32 RMS maximum for stationary applications, and 16 RMS maximum for traversing applications. Shaft straightness should be .0015 TIR per foot.

**LUBRICATION AND MAINTENANCE SCHEDULE:** All Float-A-Shaft® gear boxes have been lubricated at the factory with Mobilith® SHC 460. Standard Float-A-Shaft® gear boxes are initially filled with 2.8 oz. (82.8 ml) of grease to achieve 54% fill on the units. However, units require more lubrication prior to operation. Periodic re-lubrication is also necessary for optimum performance. When re-lubricating, inject Mobilith® SHC 460 (maximum operating temperature of 300°F or higher and EP rated) into gear case, as required, via the grease zerk provided. Mobilith® SHC 460 - 14 oz grease cartridge • P/N 0100-1605

Lubrication and maintenance schedules are dependent on the application. General guidance is provided below and a maintenance plan can be developed based on the use case.

MAINTENANCE	USE CASE		
	Continuous/ Heavy Duty	Intermittent/ Light Duty	Minimal
Inject 1/4 oz. of Mobilith SHC460 into gear housing	1 ½ Months	3 Months	6 Months
Disassemble and purge unit. Hand lubricate all bearings and gears with 3 oz. of Mobilith SHC460	6 Months	1 Year	1 Year

Mobilith® SHC 460 is a registered trademark of Exxon Mobil Corporation, www.mobil.com  
Float-A-Shaft® is a registered trademark of Tolomatic, Inc.



COMPANY WITH  
QUALITY SYSTEM  
CERTIFIED BY DNV  
= ISO 9001 =

3800 County Road 116, Hamel, MN 55340 USA  
http://www.Tolomatic.com • Email: Help@Tolomatic.com  
Phone: (763) 478-8000 • Fax: (763) 478-8080 • Toll Free: 1-800-328-2174

All brand and product names are trademarks or registered trademarks of their respective owners. Information in this document is believed accurate at time of printing. However, Tolomatic assumes no responsibility for its use or for any errors that may appear in this document. Tolomatic reserves the right to change the design or operation of the equipment described herein and any associated motion products without notice. Information in this document is subject to change without notice.