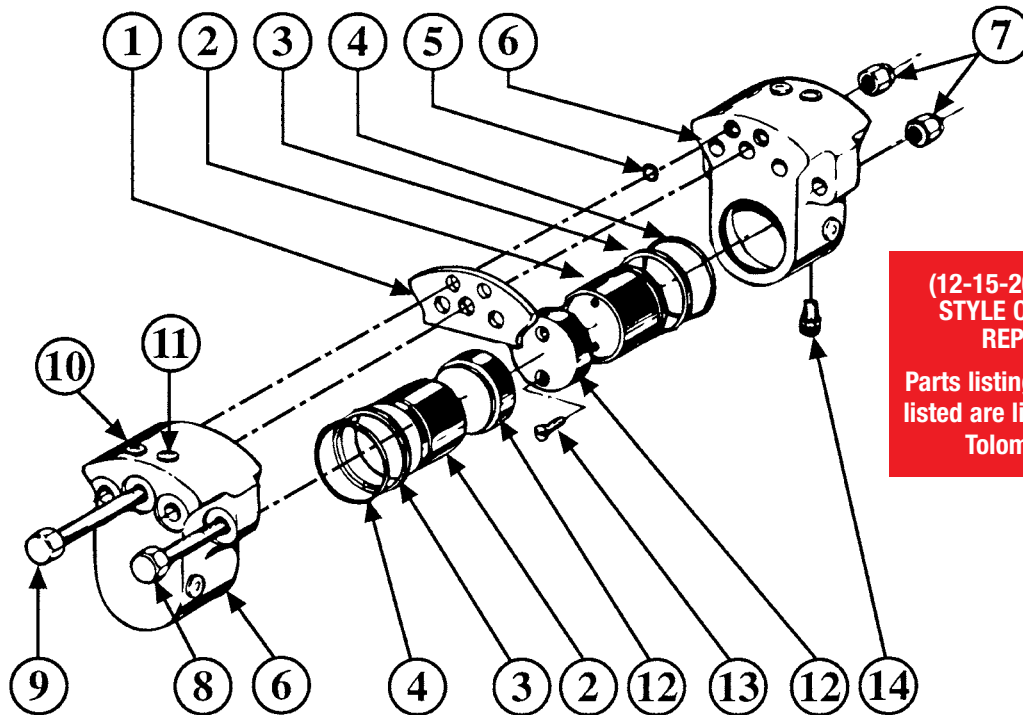


# CALIPER DISC BRAKES H440 CAST IRON

MODEL #	ASSY. #	MODEL #	ASSY. #	MODEL #	ASSY. #
H440DLC	0769-0006	H440DNC	0769-0008	H440DQC	0769-0010
H440DLCG	0769-0017	H440DNCG	0769-0019	H440DQCG	0769-0021
H440DEC	0769-0007	H440DOC	0769-0009		
H440DECg	0769-0018	H440DOCg	0769-0020		



(12-15-2014) DISCONTINUED PRODUCT STYLE OR SIZE. PARTS SHEET IS FOR REPAIR INSTRUCTIONS ONLY.

Parts listing is for reference only. All parts listed are limited to stock on hand. Contact Tolomatic regarding availability.

ITEM	PART NO.	DESCRIPTION	QUANTITY										
			H440DLC	H440DLCG	H440DEC	H440DECg	H440DNC	H440DNCG	H440DOC	H440DOCg			
1	0769-1016	Spacer, .562" thick	1	1									
	0769-1017	Spacer, .687" thick			1	1							
	0769-1018	Spacer, 1.187" thick					1	1					
	0769-1019	Spacer, 1.437" thick							1	1			
	0769-1020	Spacer, 1.687" thick									1	1	
2	0769-1001	Piston	2	2	2	2	2	2	2	2	2	2	2
3	0769-1003	Back-Up Ring, Buna-N	2	2	2	2	2	2	2	2	2	2	2
	0769-1043	Back-Up Ring, Teflon®		2	2	2	2	2	2	2	2	2	2
4	0769-1002	O-Ring, Buna-N	2	2	2	2	2	2	2	2	2	2	2
	0769-1006	O-Ring, EPR		2	2	2	2	2	2	2	2	2	2
5	0728-1005	O-Ring, Buna-N	4	4	4	4	4	4	4	4	4	4	4
	0728-1021	O-Ring, EPR		4	4	4	4	4	4	4	4	4	4
6	0769-1023	Live Side Housing	2	2	2	2	2	2	2	2	2	2	2
7	0768-1012	Lock Nut	5	5	5	5	5	5	5	5	5	5	5

ITEM	PART NO.	DESCRIPTION	QUANTITY										
			H440DLC	H440DLCG	H440DEC	H440DECg	H440DNC	H440DNCG	H440DOC	H440DOCg			
8	0769-1012	Hex Head Bolt, Grade 5	2	2	2	2							
	0769-1013	Hex Head Bolt, Grade 5					2	2	2	2	2	2	2
9	0769-1024	Hex Head Bolt, Grade 8	3	3									
	0769-1022	Hex Head Bolt, Grade 8			3	3							
	0769-1025	Hex Head Bolt, Grade 8					3	3	3	3			
	0769-1026	Hex Head Bolt, Grade 8									3	3	
10	1014-1065	Pipe Plug	7	7	7	7	7	7	7	7	7	7	7
11	1001-1066	Vinyl Plug	1	1	1	1	1	1	1	1	1	1	1
12	0768-1001	Puck, Friction	2	2	2	2	2	2	2	2	2	2	2
13	0768-1018	Flat Head Screw	4	4	4	4	4	4	4	4	4	4	4
14	0740-1002	Bleeder Valve	2	2	2	2	2	2	2	2	2	2	2

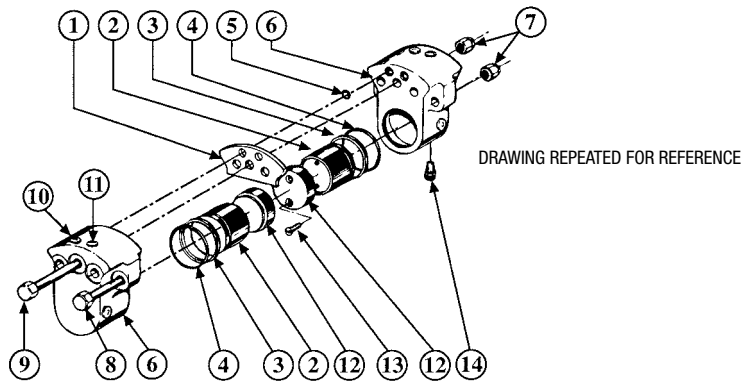
**NOTE:** Items marked with capital letters are used only in models with those letter suffixes. Model number letter suffixes have the following meanings:

- "C" indicates the brake has bleeder fittings.
- "D" indicates the brake has double live sides.
- "E" indicates the brake is designed to work with a 1/2" (12.7mm) thick disc.
- "G" indicates the brake is built with EPR Seals and is DESIGNED TO BE OPERATED WITH AUTOMOTVE BRAKE FLUID ONLY. (In brakes without the "G" suffix, most petroleum-based, hydraulic fluids may be used).

- "H" indicates hydraulic brake.
- "L" indicates spacer for 3/8" disc.
- "N" indicates spacer for 1" disc.
- "O" indicates spacer for 1-1/4" disc.
- "Q" indicates spacer for 1-1/2" disc.

**(12-15-2014) DISCONTINUED PRODUCT STYLE OR SIZE. PARTS SHEET IS FOR REPAIR INSTRUCTIONS ONLY.**

**Parts listing is for reference only. All parts listed are limited to stock on hand. Contact Tolomatic regarding availability.**



**INSTALLATION INSTRUCTIONS**

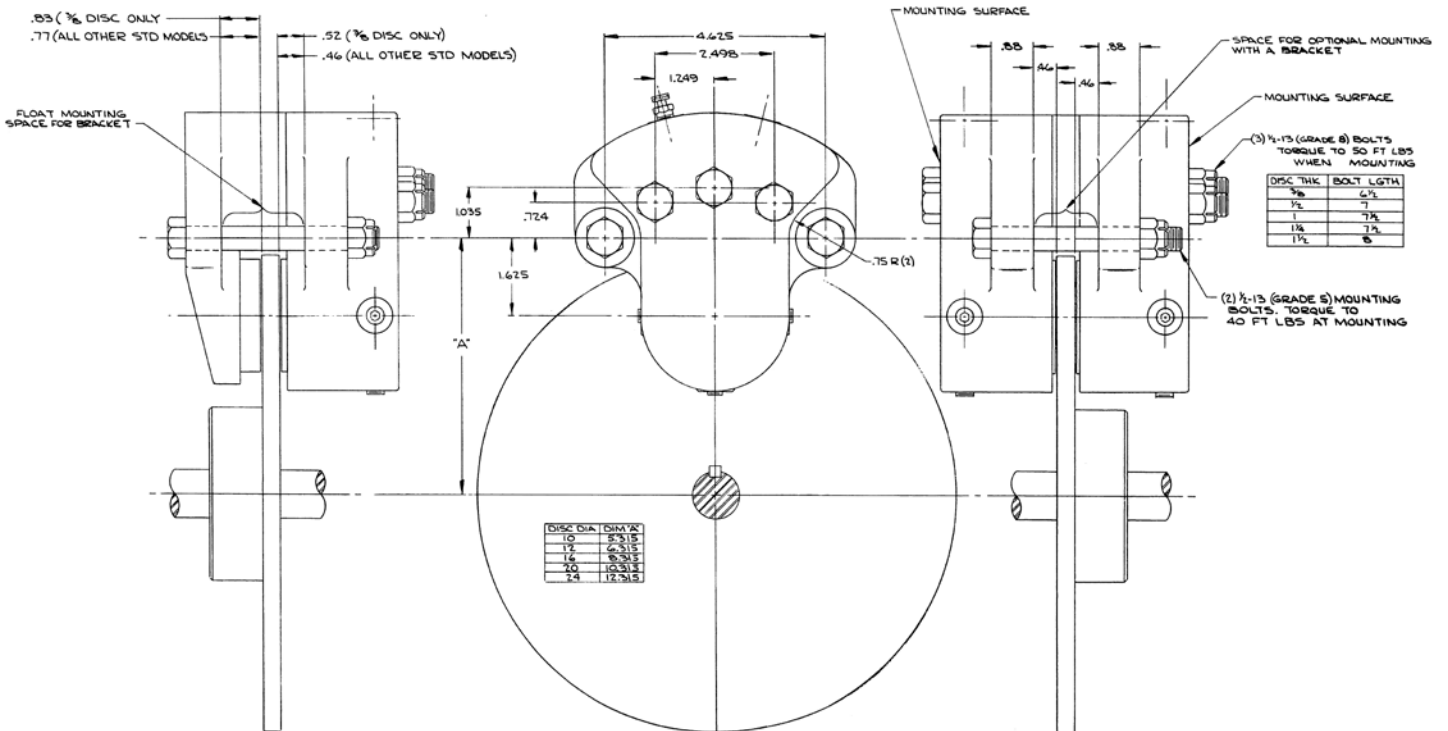
1. The H440D Caliper Disc Brake must be mounted to a fixed installation and is for use with a fixed disc only. Mount the brake as shown in the diagram below. All Grade 8 bolts must be tightened to 50 ft-lbs (67.8 N-m). All Grade 5 bolts must be tightened to 40 ft-lbs (54.2 N-m). Care must be taken in mounting the brake so that puck faces are aligned parallel to the disc. The Flat Head Screws (#13) must be reinstalled with Loctite® and tightened to 20 in-lbs (2.26 N-m), after any repairs.
2. The H440D brake may be operated hydraulically up to a pressure of 1500 PSI. Make certain that the hydraulic fluid used is compatible with the seals. Buna-N seals are compatible with most petroleum-based fluids. Brake models with the letter "G" in its model designation are equipped with EPR seals and are for use with automotive brake fluid only.

3. The pressure in the brake must be relieved when the brake is not in use. **DO NOT OPERATE THIS BRAKE WITH MASTER CYLINDERS THAT HAVE A RESIDUAL PRESSURE CHECK VALVE.** This back pressure will cause drag and excess heat which will result in reduced puck life.
4. The H440D brake is provided with two (2) Bleeder Valves (#14) and four (4) optional bleeder valve locations per side. After mounting the brake, place the bleeder valves in the position that has the highest elevation. Improper bleeding will cause poor braking performance.

Loctite® is a registered trademark of the Loctite Corporation, [www.loctite.com](http://www.loctite.com).

Teflon® is a registered trademark of the E.I.DuPont de Nemours Co., [www.dupont.com](http://www.dupont.com)

**MOUNTING DIMENSIONS**



3800 County Road 116, Hamel, MN 55340  
<http://www.Tolomatic.com> • Email: [Help@Tolomatic.com](mailto:Help@Tolomatic.com)  
 Phone: (763) 478-8000 • Fax: (763) 478-8080 • Toll Free: 1-800-328-2174



Information furnished is believed to be accurate and reliable. However, Tolomatic assumes no responsibility for its use or for any errors that may appear in this document. Tolomatic reserves the right to change the design or operation of the equipment described herein and any associated motion products without notice. Information in this document is subject to change without notice.