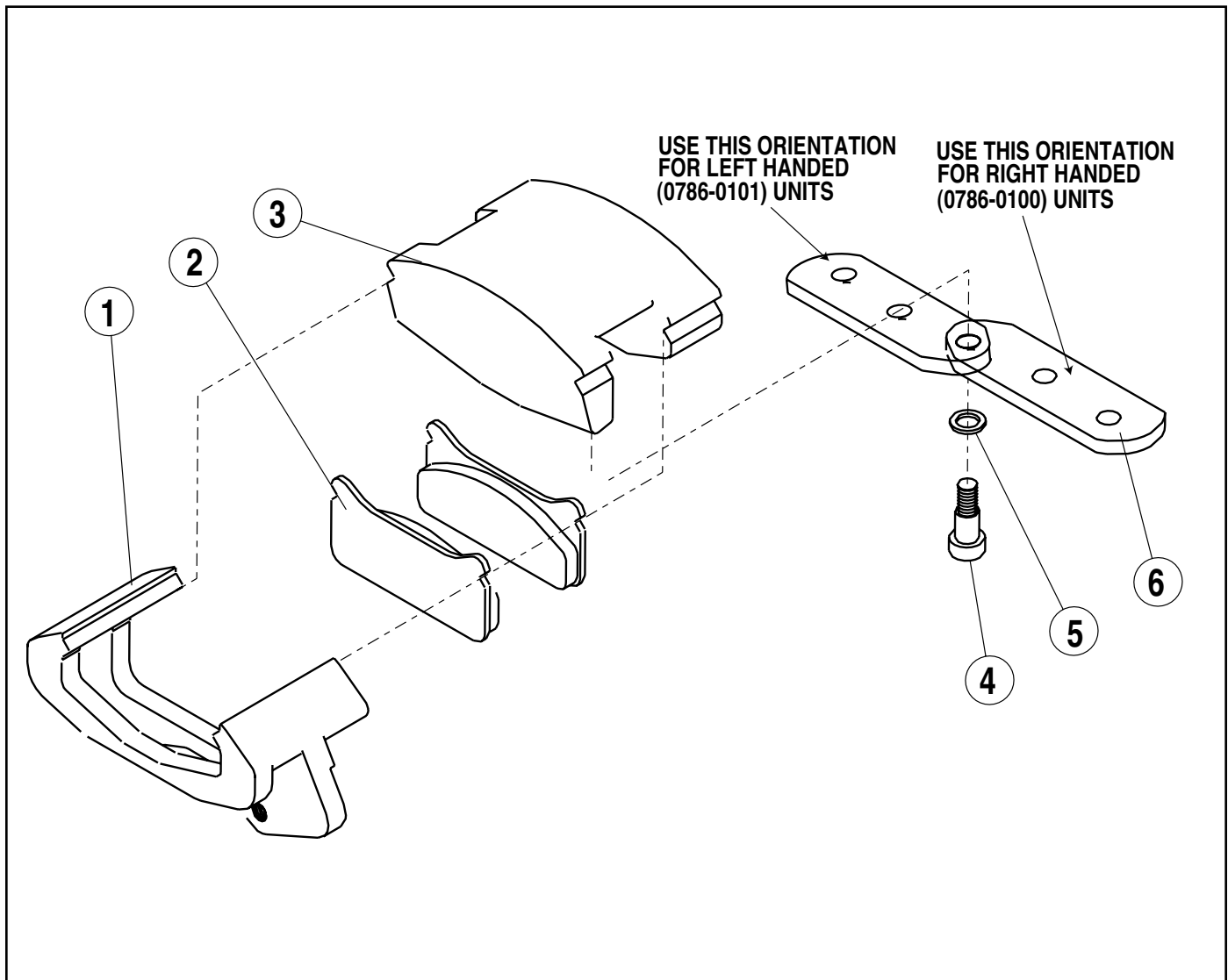


Mechanical Brake 210 Series

MODEL: 0786-0100
ME210 0786-0101

ME210



List of Parts

ITEM	PART NO.	DESCRIPTION	ME210
1.	0786-1003	Brake Bracket, Machined	1
2.	0786-1006	Pad Assembly	2
3.	0786-1017	Housing, ME210, Machined	1
4.	0786-1023	SHS, Shoulder, Dia. .375x.50	1
5.	0720-1007	Washer	1
6.	0786-1020	Double Ended Lever, 210	1

INSTALLATION INSTRUCTIONS:

1. When installing this mechanical caliper disc brake, it is of utmost importance that it be centered evenly and squarely over the disc. This will ensure even Pad to disc contact. Proper Pad to disc clearance (for new Pads) should be 0.010 inch to 0.031 inch per side (.25mm to .79mm).
2. To prevent excessive wear, be certain disc does not contact Housing (#3) or Brake Bracket (#1).
3. NOTE: Disc and Pads must be kept free of oil, dirt, grease, etc.
4. Mount Brake Assembly using two (2) SAE Grade 8 or better hex head mounting bolts. Tighten to approximately 480 in.-lbs. (54.2 N-m).
5. Attach actuating mechanism to Lever (#6).
6. Maximum allowable Lever force is 200 pounds (90.7 kg).

MAINTENANCE INSTRUCTIONS:

1. Disconnect actuating mechanism from Lever (#6).
2. Unbolt mounting bolts and remove Brake Assembly from disc.
3. Slide Housing (#3) out of Brake Bracket (#1).
4. Remove worn Pads (#2) from Housing (#3).
5. Install new Pads (#2) in Housing (#3).
6. Apply an anti-seize grease to the machined "V" in Brake Bracket (#1). Slide Housing (#3) back into Brake Bracket. Apply anti-seize to front cam surface of Lever (#6) and backing plate contact area. Check to ensure Lever rotates freely and Pads (#2) and Brake Bracket float freely without any binding.

NOTE: Take care to avoid getting any anti-seize on the friction material.

7. Follow Installation Instructions to continue.

DISASSEMBLY INSTRUCTIONS:

1. Disconnect actuating mechanism from Lever (#6).
2. Unbolt mounting bolts and remove Brake Assembly from disc.
3. Slide Housing (#3) out of Brake Bracket (#1).
4. Remove worn Pads (#2) from Housing (#3).
5. Remove Shoulder Bolt (#4) from Housing (#3).
6. Remove Washer (#5) and Lever (#6) from Shoulder Bolt (#4).

ASSEMBLY INSTRUCTIONS:

1. Place Washer (#5) onto Shoulder Bolt (#4). Apply anti-seize to shoulder portion of Bolt and Loctite #271 to threaded portion of the Bolt.
2. Secure Lever (#6) to Housing (#3) with shoulder bolt/washer assembly from step 1. (Note: Lever may be mounted in either a left or right orientation.)
3. Install new Pads (#2) in Housing (#3).
4. Apply an anti-seize grease to the machined "V" in Brake Bracket (#1). Slide Housing (#3) back into Brake Bracket. Apply anti-seize to front cam surface of Lever (#6) and backing plate contact area. Check to ensure Lever rotates freely and Pads (#2) and Brake Bracket float freely without any binding.

NOTE: Take care to avoid getting any anti-seize on the friction material.

5. Follow Installation Instructions to continue.

Loctite® is a registered trademark of the Loctite Corporation, 999 N. Mountain Road, Newington, Connecticut, 06111.



3800 County Road 116, Hamel, MN 55340
<http://www.Tolomatic.com> • Email: Help@Tolomatic.com
 Phone: (763) 478-8000 • Fax: (763) 478-8080 • Toll Free: 1-800-328-2174



Information furnished is believed to be accurate and reliable. However, Tolomatic assumes no responsibility for its use or for any errors that may appear in this document. Tolomatic reserves the right to change the design or operation of the equipment described herein and any associated motion products without notice. Information in this document is subject to change without notice.