

**CAUTION:** Failure to properly install the motor or over tensioning of the drive belt can result in damage and/or a significant reduction in product life.

### RSX RP Motor Assembly and Belt Tension Procedure

1. Install the motor to the RP (Reverse Parallel) case. Do not tighten the fasteners at this time.
2. Locate the belt over the pulleys and slide the drive pulley over the motor shaft. Tighten the pulley to the motor shaft.
3. Verify that there is clearance between the inside of the RP case and each pulley. Verify that the pulleys are aligned to each other.
4. Tension the belt by pulling the motor away from the drive shaft with the appropriate force from the "Total Belt Tension" column in the chart below. Tighten the motor fasteners while this force is applied to the motor.

			Tension Specs				Sonic Tension Method						Force Deflection Method			
			Total Belt Tension		Span Tension Force		Mass		Width		Span		Deflection		Deflection Force	
			lbf	N	lbf	N	lb/in	g/m	in	mm	in	mm	in	mm	lbf	N
RSX080	RP1	HT1	240	1068	120 ± 20	534 ± 89	0.408	4.7	1.42	36	7.24	184	0.11	2.8	9 ± 2	40 ± 9
	RP2	HT1	240	1068	120 ± 20	534 ± 89	0.408	4.7	1.42	36	7.05	179	0.11	2.8	9 ± 2	40 ± 9
RSX096	RP1	ST1	440	1957	220 ± 20	979 ± 89	0.408	4.7	1.42	36	7.87	200	0.12	3.0	16 ± 2	71 ± 9
		HT1	440	1957	220 ± 20	979 ± 89	0.408	4.7	2.44	62	7.87	200	0.12	3.0	16 ± 2	71 ± 9
	RP2	ST1	440	1957	220 ± 20	979 ± 89	0.408	4.7	1.42	36	7.60	193	0.12	3.0	16 ± 2	71 ± 9
		HT1	440	1957	220 ± 20	979 ± 89	0.408	4.7	2.44	62	7.60	193	0.12	3.0	16 ± 2	71 ± 9

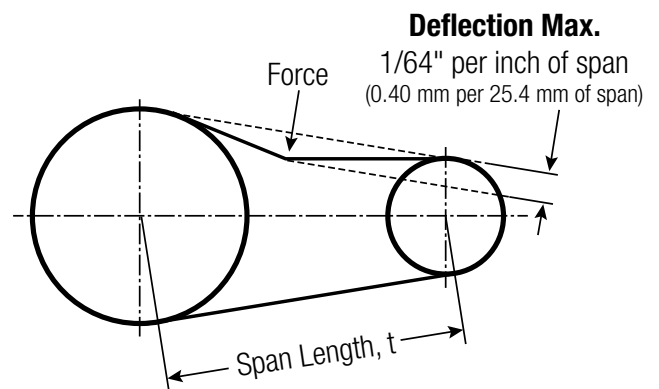
5. Validate the span tension of the belt using either a sonic tension meter or force deflection method.

#### a. Sonic tension meter

- i. Enter the mass, width, and span from the table above into the tension meter.
- ii. Test the belt using the manufacturers recommendations
- iii. Compare the span tension to the target in the "Span Tension Force"

#### b. Force deflection method

- i. At the center of the span, measure the force required to deflect the belt the distance called out in the "Deflection" column in the table above. The measured force should fall within the deflection force tolerance noted in the "Deflection Force" column.
  1. Ensure one pulley is free to rotate.
  2. The deflection force needs to be evenly applied across the entire belt width. Use a piece of steel or angle iron across the belt width and deflect the belt evenly.



6. Install the RP cover

**CAUTION:** Failure to properly install the motor or over tensioning of the drive belt can result in damage and/or a significant reduction in product life.

### RSA RP Motor Assembly and Belt Tension Procedure

1. Install the motor to the RP case. Do not tighten the fasteners at this time.
2. Locate the belt over the pulleys and slide the drive pulley over the motor shaft. Tighten the pulley to the motor shaft.
3. Verify that there is clearance between the inside of the RP case and each pulley. Verify that the pulleys are aligned to each other.
4. Position the cover in mating slot of the RP case and install the SHCS to hold in place. Take care not to overtighten. If the cover is deflected it can interfere with the leadscrew.
5. Tension the belt by pulling the motor away from the drive shaft with the appropriate force from the chart below. Tighten the motor fasteners while this force is applied to the motor. \*Shaft diameter is the smaller of the actuator drive shaft, or the motor shaft.

Actuator	Smallest Shaft Ø	Tension Force
RSA24 HT	All	40 lbf (178 N)
RSA32 HT	Up to 0.47" (12mm)	40 lbf (178 N)
	Over 0.47" (12mm)	60 lbf (267 N)
RSA50 HT	All	60 lbf (267 N)
RSA64 HT	Up to 0.98" (25mm)	60 lbf (267 N)
	Over 0.98" (25mm)	80 lbf (356 N)

Table 1: RSA Belt Tension Requirements

6. Install both end caps with the screws to finalize assembly.

Belt tension force figures are based on specification derived from the Tolomatic motor product line. Alternate motors should always be verified for equivalent capabilities prior to applying the provided belt tension forces.

Tolomatic assumes no responsibility for the performance or compatibility of any non-Tolomatic supplied product. Responsibility for the installation results of any such product by non-Tolomatic personnel resides with the installer.

FIND ADDITIONAL INSTRUCTIONS AND PARTS SHEETS AT: [www.tolomatic.com](http://www.tolomatic.com)

**Note:** RSA24 Parts Sheet Number: 3600-4103

RSX080 Parts Sheet Number: 2171-4003

RSA32 Parts Sheet Number: 3600-4104

RSX096 Parts Sheet Number: 2171-4002

RSA50 Parts Sheet Number: 3600-4105

RSA64 Parts Sheet Number: 3600-4106



3800 County Road 116, Hamel, MN 55340 USA  
<https://www.tolomatic.com> • Email: [Help@Tolomatic.com](mailto:Help@Tolomatic.com)  
 Phone: (763) 478-8000 • Fax: (763) 478-8080 • Toll Free: 1-800-328-2174

COMPANY WITH  
 QUALITY SYSTEM  
 CERTIFIED BY DNV GL  
 = ISO 9001 =

All brand and product names are trademarks or registered trademarks of their respective owners. Information in this document is believed accurate at time of printing. However, Tolomatic assumes no responsibility for its use or for any errors that may appear in this document. Tolomatic reserves the right to change the design or operation of the equipment described herein and any associated motion products without notice. Information in this document is subject to change without notice.