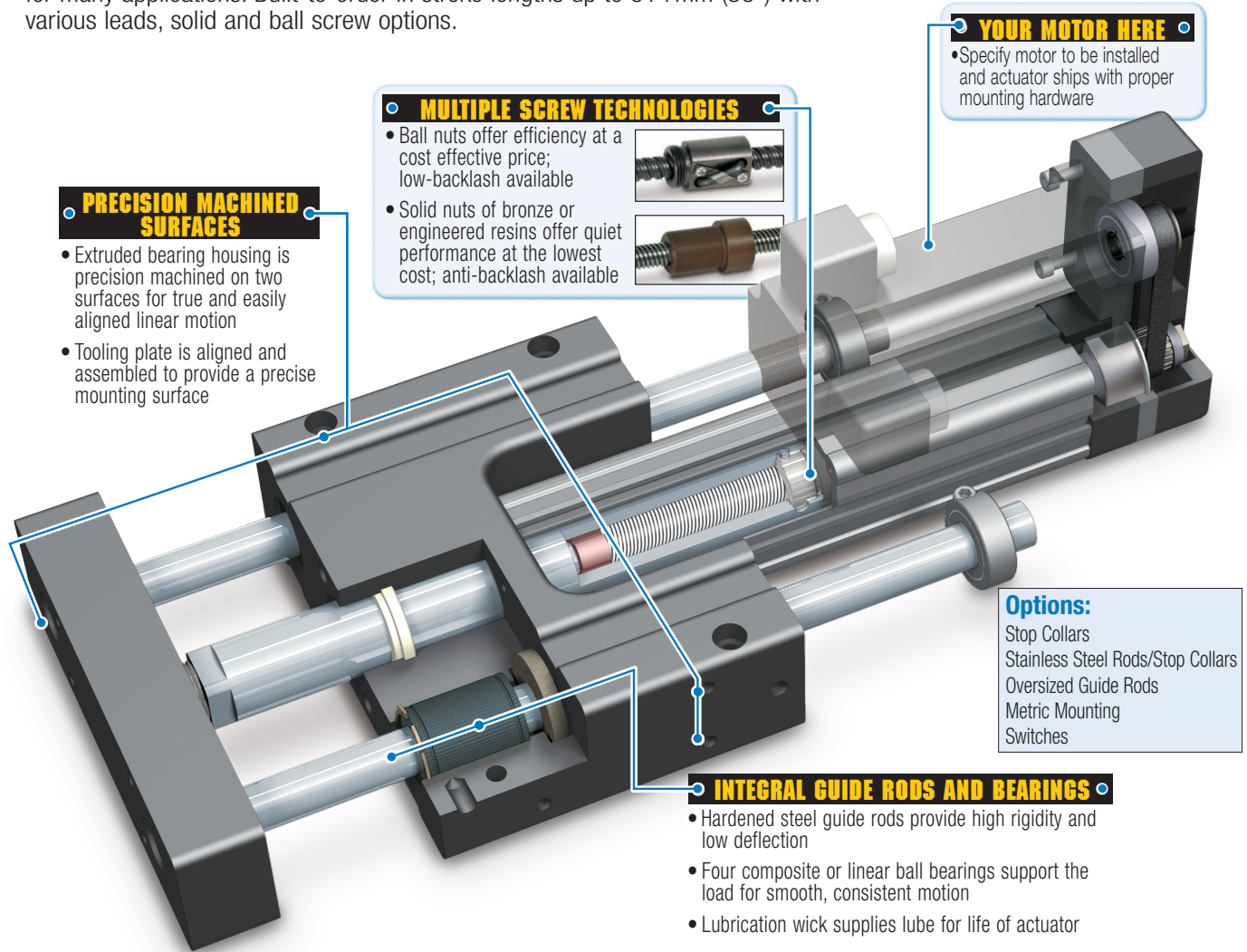


GUIDED ROD-STYLE ELECTRIC ACTUATOR GSA

The GSA guided screw actuator with self-contained guided rod design and cylinder slide style operation is ideal for applications requiring guidance and support of the load. A robust, wide tooling plate allows easy mounting of the required end effectors for many applications. Built-to-order in stroke lengths up to 914 mm (36") with various leads, solid and ball screw options.



PRECISION MACHINED SURFACES

- Extruded bearing housing is precision machined on two surfaces for true and easily aligned linear motion
- Tooling plate is aligned and assembled to provide a precise mounting surface

MULTIPLE SCREW TECHNOLOGIES

- Ball nuts offer efficiency at a cost effective price; low-backlash available
- Solid nuts of bronze or engineered resins offer quiet performance at the lowest cost; anti-backlash available

YOUR MOTOR HERE

- Specify motor to be installed and actuator ships with proper mounting hardware

Options:

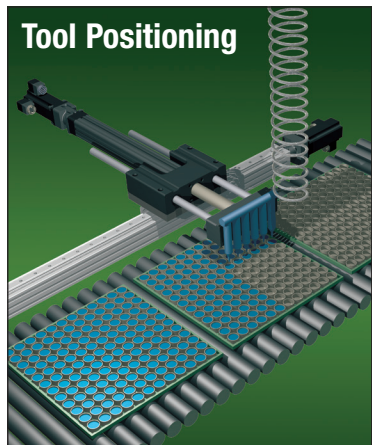
- Stop Collars
- Stainless Steel Rods/Stop Collars
- Oversized Guide Rods
- Metric Mounting
- Switches

INTEGRAL GUIDE RODS AND BEARINGS

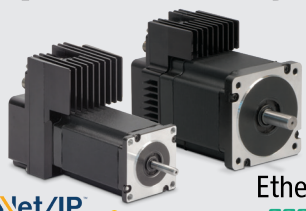
- Hardened steel guide rods provide high rigidity and low deflection
- Four composite or linear ball bearings support the load for smooth, consistent motion
- Lubrication wick supplies lube for life of actuator

Applications:

- Aligning
- Animation
- Assembly
- Automotive
- Conveyors
- Diverting
- Gating
- Material handling systems
- Medical equipment
- Open / close doors
- Packaging equipment
- Pick & place
- Piercing
- Plate positioning change
- Press fit
- Pressing
- Punching
- Robot manipulator arms
- Sonic welding
- Sorting
- Volumetric pumps
- Web guidance
- Wire winding & more!



Complete Your System:



CE

EtherNet/IP CONFORMANT

ODVA

Modbus

EtherCAT

PROFI NET

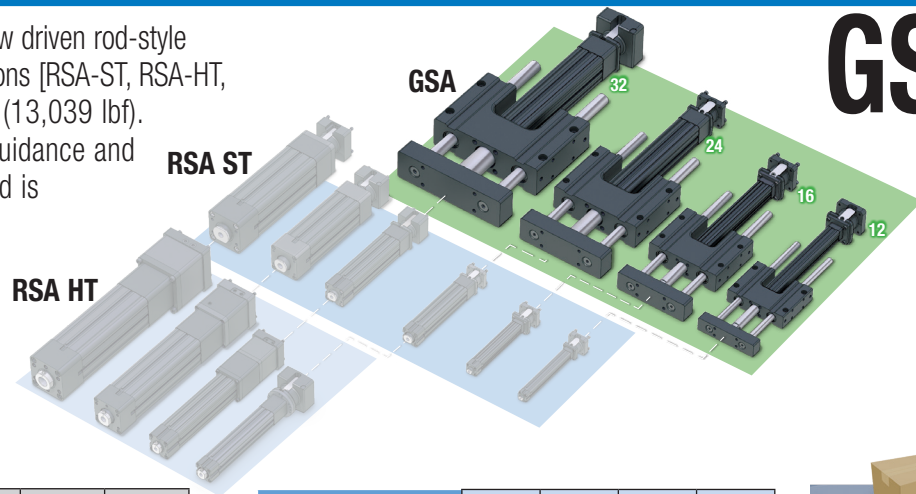
PIV

ACSI Integrated Motor/Drive/Controller is matched to provide optimal performance with Tolomatic actuators

GUIDED ROD-STYLE ELECTRIC SCREW-DRIVE ACTUATOR

The RSA series of electric screw driven rod-style actuators are offered in 3 versions [RSA-ST, RSA-HT, GSA] with forces up to 58 kN (13,039 lbf). The GSA (guided RSA) adds guidance and load support to the design and is available in 4 sizes.

GSA



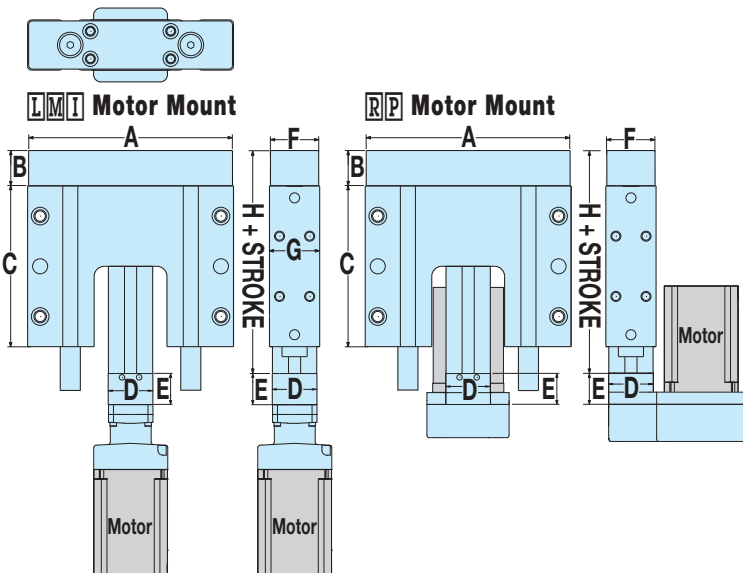
Specifications

Size	12	16	24	32
Max. Thrust (N)	578	578	3781	4226
Max. Stroke (mm)	457	609	762	914

Size	12	16	24	32
Max. Thrust (lbf)	130	130	850	950
Max. Stroke (in)	18	24	30	36



Dimensions



	12	16	24	32
A	130.2	158.8	196.9	254.0
B	22.4	28.6	35.1	41.4
C	101.6	127.0	152.4	177.8
D	28.6	35.0	51.8	65.5
E	18.3	18.3	36.0	45.4
F	30.5	43.2	54.6	67.3
G	31.8	44.5	57.2	69.9
H	144.1	163.12	206.6	249.0

Dimensions in millimeters

	12	16	24	32
A	5.13	6.25	7.75	10.00
B	0.88	1.13	1.38	1.63
C	4.00	5.00	6.00	7.00
D	1.13	1.38	2.04	2.58
E	0.72	0.72	1.42	1.79
F	1.20	1.70	2.15	2.65
G	1.25	1.75	2.25	2.75
H	5.68	6.42	8.14	9.81

Dimensions in inches

3D CAD LIBRARY

- SIZING SOFTWARE
- SOLID MODELS
- CATALOG

AVAILABLE AT:
www.tolomatic.com

ACTUATOR SIZING

NOTE: YMH (Your Motor Here) will determine motor size, motor mount size and reverse parallel housing size. Complete dimensions available in RSA/GSA brochure #3600-4166; Always use solid models available at www.tolomatic.com for critical dimensions



COMPANY WITH QUALITY SYSTEM CERTIFIED BY DNV GL = ISO 9001 = Certified site: Hamel, MN

USA
 3800 County Road 116
 Hamel, MN 55340, USA
Phone: (763) 478-8000
Fax: (763) 478-8080
 Toll-Free: **1-800-328-2174**
sales@tolomatic.com
www.tolomatic.com

CHINA
Tolomatic Automation Products (Suzhou) Co. Ltd.
(ServoWeld® inquiries only)
 No. 60 Chuangye Street, Building 2
 Huqiu District, SND Suzhou
 Jiangsu 215011 - P.R. China
Phone: +86 (512) 6750-8506
Fax: +86 (512) 6750-8507
ServoWeldChina@tolomatic.com

EUROPE
Tolomatic Europe GmbH
 Elisabethenstr. 20
 65428 Rüsselsheim
 Germany
Phone: +49 6142 17604-0
help@tolomatic.eu

All brand and product names are trademarks or registered trademarks of their respective owners. Information in this document is believed accurate at time of printing. However, Tolomatic assumes no responsibility for its use or for any errors that may appear in this document. Tolomatic reserves the right to change the design or operation of the equipment described herein and any associated motion products without notice. Information in this document is subject to change without notice.

Visit www.tolomatic.com for the most up-to-date technical information