

ACTUATORS FOR ACTIVE SECURITY BARRIERS



STANDARD & CUSTOM ACTUATORS

Electric Actuator Solutions for Anti-Ram Vehicle Barriers

Tolomatic electric actuators have been deployed successfully in certified DOS K-12 L1 and ASTM M50 P1 active anti-ram vehicle barrier systems.

ERD LOW COST ELECTRIC ACTUATOR WITH ALL 300 SERIES STAINLESS STEEL CONSTRUCTION

RSA ROD-STYLE ELECTRIC ACTUATOR FEATURES ANTI-ROTATE AND FLEXIBLE MOTOR MOUNTING CAPABILITY.




IMA INTEGRATED SERVO MOTOR ACTUATOR FEATURES ROLLER SCREW, MANUAL OVERRIDE PATENTED LUBRICATION PORT AND LOW/HIGH TEMPERATURE GREASE.

TOLOMATIC'S ELECTRIC ROD-STYLE ACTUATORS

ADDITIONAL FEATURES, CUSTOMIZATION & TESTING



ENDURANCE TECHNOLOGY®

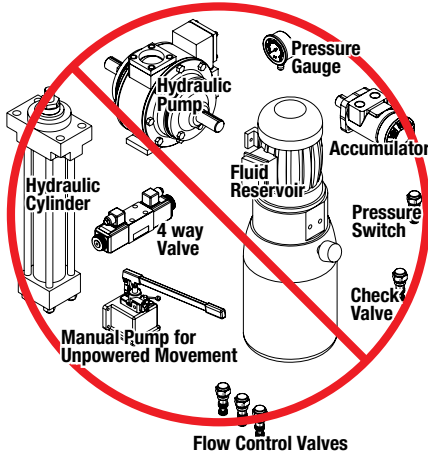
	ERD	IMA	RSA
			
	Rod-Style Actuator	Integrated Motor Rod-Style Actuator	Rod-Style Actuator
Thrust up to:	500 lbf [2,224 N]	6,875 lbf [30,594 N]	7,350 lbf [32,695 N]
Speed up to:	40 in/sec* [1,016 mm/sec]	52.5 in/sec [1,334 mm/sec]	123 in/sec [3,124 mm/sec]
Stroke Length up to:	24 in [609 mm]	18 in [457 mm]	60 in [1,524 mm]
Screw/Nut Type	Solid & Ball	Ball & Roller	Solid, Ball & Roller
	<i>For complete information see www.tolomatic.com or literature number:</i>		
Literature Number:	2190-4000	2700-4000	3600-4609

	Patented re-lubrication system with High / low temperature grease available
	Ingress protection rating of IP65, 67 & 69K available
	White epoxy paint & stainless steel for use in coastal regions (salt/fog protection)
	Optional manual override design
	Compact, lightweight designs
	Shock, vibration, temperature & humidity tested

*Faster speeds longer strokes available upon request, lead time may vary from standard 15 day delivery, contact Tolomatic

Electric Actuator Solutions for Anti-Ram Vehicle Barriers

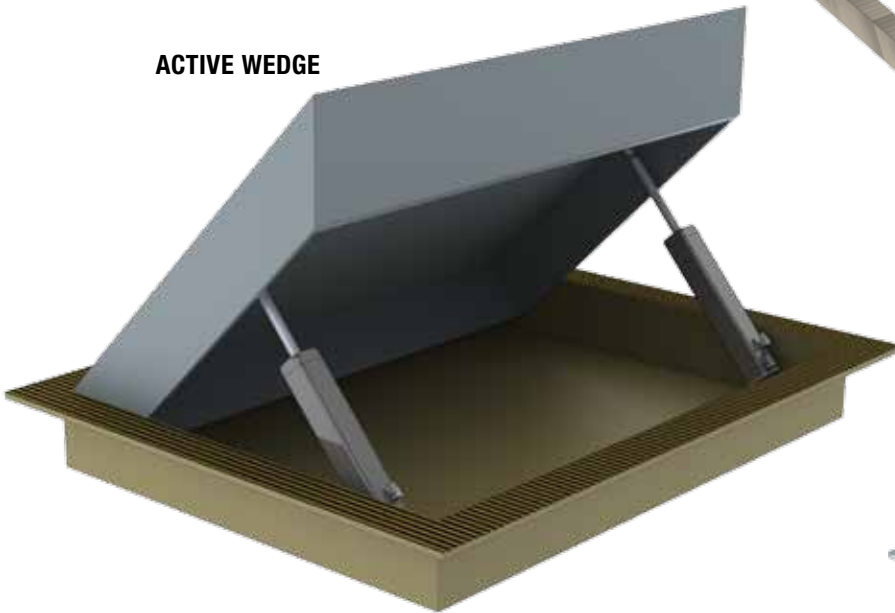
REPLACING HYDRAULIC CYLINDERS WITH LONG LASTING ELECTRIC ACTUATORS PROVIDES:



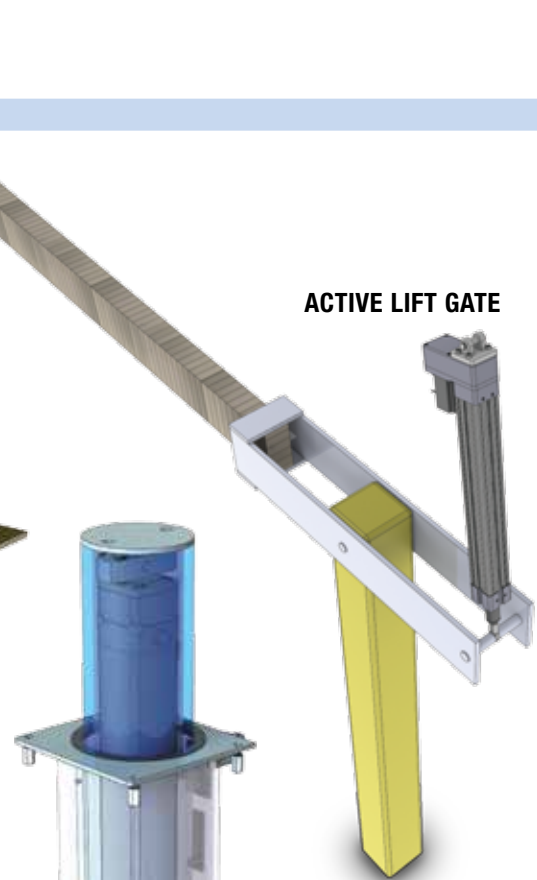
- Cleaner, more efficient operation
- Eliminates costly, messy leaks that contaminate the environment
- Eliminates hydraulic power unit and many associated hydraulic components
- No warm up period in cold temperatures
- Precise position, speed, acceleration & force control
- Improved accuracy & repeatability

APPLICATIONS

ACTIVE WEDGE



ACTIVE LIFT GATE



ACTIVE BOLLARD



Above photo & cover photos used with permission from Avon Barrier Company, www.avon-barrier.co.uk. Tolomatic actuators are not currently installed in barriers shown in these photographs.

Deployed in DOS K-12 L1 and ASTM M50 P1 anti-ram vehicle barrier systems. This is a 15,000 lb (6,800 kg) vehicle traveling at 50 mph (80 kph) that doesn't penetrate barrier more than 3 ft (1 m).

THE TOLOMATIC DIFFERENCE What you expect from the industry leader:



EXCELLENT CUSTOMER SERVICE & TECHNICAL SUPPORT

Our people make the difference! Expect prompt, courteous replies to all of your application and product questions.



INDUSTRY LEADING DELIVERIES

Tolomatic continues to offer the fastest delivery of standard catalog products. Modified and custom products ship weeks ahead of the competition.



INNOVATIVE PRODUCTS

From standard catalog products... to modified products... to completely unique custom products, Tolomatic designs and builds the best solutions for your challenging applications.

ACTUATOR



SIZING

ONLINE SIZING & SELECTION SOFTWARE

Online sizing that is easy to use, accurate and always up-to-date. Input your application data and the software will determine a Tolomatic electric actuator to meet your requirements.



3D MODELS & 2D DRAWINGS AVAILABLE ON THE WEB

Easy to access CAD files are available in many popular formats.

ALSO CONSIDER THESE OTHER TOLOMATIC PRODUCTS:

PNEUMATIC PRODUCTS



RODLESS CYLINDERS: Band Cylinders, Cable Cylinders, MAGNETICALLY COUPLED CYLINDERS/SLIDES; GUIDED ROD CYLINDER SLIDES

"FOLDOUT" BROCHURE #9900-9075
PRODUCTS BROCHURE #9900-4028

ELECTRIC PRODUCTS



POWER-TRANSMISSION PRODUCTS



GEARBOXES: Float-A-Shaft®, Slide-Rite®; DISC CONE CLUTCH; CALIPER DISC BRAKES

"FOLDOUT" BROCHURE #9900-9076
PRODUCTS BROCHURE #9900-4029

ROD & GUIDED ROD STYLE ACTUATORS, HIGH THRUST ACTUATORS, SCREW & BELT DRIVE RODLESS ACTUATORS, MOTORS, DRIVES AND CONTROLLERS

"FOLDOUT" BROCHURE #9900-9074
PRODUCTS BROCHURE #9900-4016



3800 County Road 116 • Hamel, MN 55340 U.S.A.
Phone: (763) 478-8000 • Fax: (763) 478-8080

Toll-Free: **1-800-328-2174**

Email: help@tolomatic.com • <http://www.tolomatic.com>

All brand and product names are trademarks or registered trademarks of their respective owners. Information in this document is believed accurate at time of printing. However, Tolomatic assumes no responsibility for its use or for any errors that may appear in this document. Tolomatic reserves the right to change the design or operation of the equipment described herein and any associated motion products without notice. Information in this document is subject to change without notice.

Visit www.tolomatic.com for the most up-to-date technical information

