

The MB1 mechanical brake is a reliable, powerful, compact and cost effective brake solution. This is THE ORIGINAL Airheart MB1 Brake. Tolomatic has built this durable brake for decades and it remains as popular as ever.

FEATURES:

- Compact & Powerful
- Hardened Steel Components for Durability
- Cost Effective
- Lightweight Aluminum Housing
- Efficient Design: Only 4 Moving Parts
- Uniform Brake Torque Applied Throughout Entire Lining Life
- Simple Lever Adjustment (Required Only 3 Times During Lining Life)
- Fixed or Floating Mount
- Fits 0.187 in (4.75mm) Thick Disc
- Optional Spacer for .25 in (6.35mm) Thick Disc



POSITIVE STOPPING POWER FOR LIGHT & MEDIUM DUTY APPLICATIONS



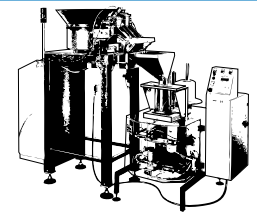
LAWN & GARDEN



RECREATIONAL



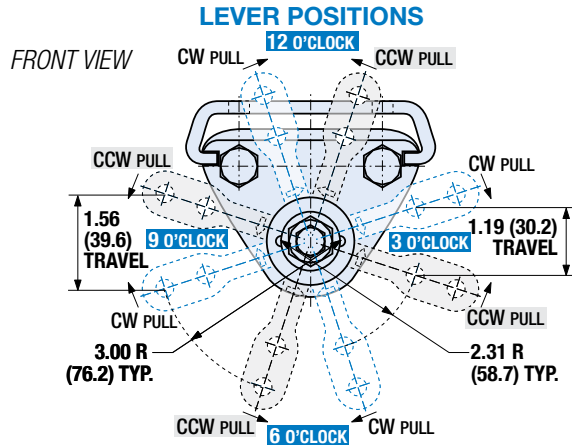
INDUSTRIAL VEHICLES



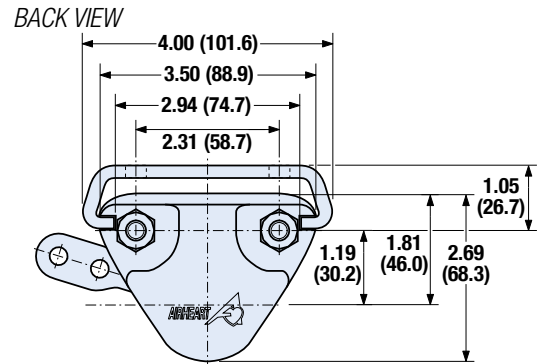
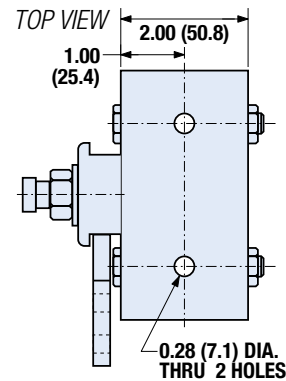
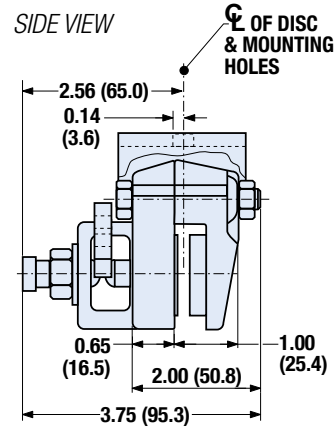
AUTOMATION

SPECIFICATIONS

	U.S. Standard measure	Metric measure
Maximum Continuous Lever Force	150 lbf	667 N
Maximum Intermittent Lever Force	200 lbf	890 N
Dynamic Torque (in-lb) / (N-m)	5.40 x lever force x (disc radius - 0.60")	0.0054 x lever force x (disc radius - 15.24mm)
Parking Torque (in-lb) / (N-m)	2.70 x lever force x (disc radius - 0.60")	0.0027 x lever force x (disc radius - 15.24mm)
Total Lining Area (two linings)	3.6 in ²	2322.6 mm ²
Usable Lining Thickness	0.24 in	6.10 mm
Maximum Wearable Lining	0.87 in ³	14.257 ml
Disc Diameter	4 in to unlimited	101.6 mm to unlimited
Disc Thickness	0.187 in or 0.250 in	4.75 mm or 6.35 mm
Weight	13 oz	0.369 kg
Weight (with optional Floating Mount Bracket)	19 oz	0.539 kg



DIMENSIONS:



Dimensions in inches (dimensions in millimeters)

Lever Position	Direction of Pull	Assembly No.
"O'Clock"	CW = Clockwise CCW = Counter Clockwise	
Standard Model - 3/16" disc		
12		CW 3000-0001
12		CCW 3000-0002
3		CW 3000-0003
3		CCW 3000-0004
6		CW 3000-0005
6		CCW 3000-0006
9		CW 3000-0007
9		CCW 3000-0008
with Floating Mount Bracket - 3/16" disc		
12		CW 3000-0009
12		CCW 3000-0010
3		CW 3000-0011
3		CCW 3000-0012
6		CW 3000-0013
6		CCW 3000-0014
9		CW 3000-0015
9		CCW 3000-0016

Lever Position	Direction of Pull	Assembly No.
"O'Clock"	CW = Clockwise CCW = Counter Clockwise	
Standard Model - 1/4" disc		
12		CW 3000-0034
12		CCW 3000-0035
3		CW 3000-0036
3		CCW 3000-0037
6		CW 3000-0038
6		CCW 3000-0039
9		CW 3000-0040
9		CCW 3000-0041
with Floating Mount Bracket - 1/4" disc		
12		CW 3000-0020
12		CCW 3000-0021
3		CW 3000-0022
3		CCW 3000-0023
6		CW 3000-0024
6		CCW 3000-0025
9		CW 3000-0026
9		CCW 3000-0027

