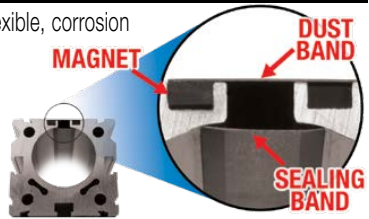


PROFILED RAIL BEARING RODLESS BAND CYLINDER MXP-P

The Tolomatic MXP-P profiled rail pneumatic band cylinder offers the highest load carrying capacity and bending moment capacity of the MXP actuator line. The MXP-P has: THK recirculating ball bearings to reduce friction for long, reliable life; A low profile, space-saving design; & features smooth, low-breakaway motion.

STAINLESS STEEL BANDS WITH NON-WEAR BAND RETENTION

- Durable, flexible, corrosion & fatigue resistant stainless steel of the dust & sealing bands are magnetically retained and are not subject to wear and stretch like materials used by competitors
- Wipers, dust & sealing band all prevent contaminants from entering the cylinder interior, protecting components for increased life

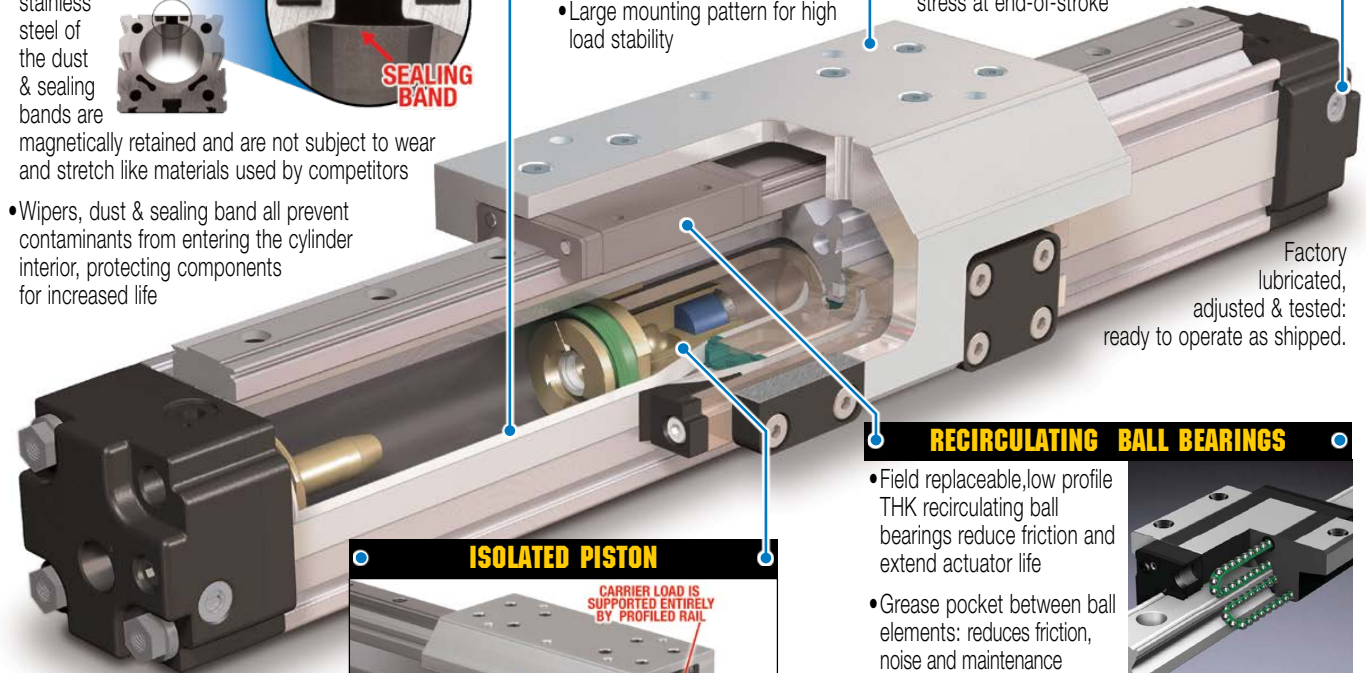


LOW CARRIER HEIGHT

- Reduces overall cylinder envelope
- Large mounting pattern for high load stability

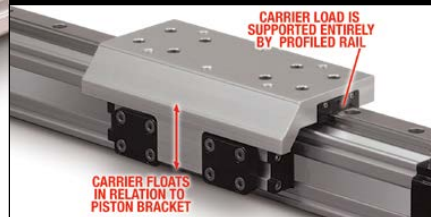
ADJUSTABLE CUSHIONS

- Adjustable cushions with retained stainless steel needle screw for increased safety
- Easy screw adjustment for smooth deceleration protecting actuator from high stress at end-of-stroke



Factory lubricated, adjusted & tested: ready to operate as shipped.

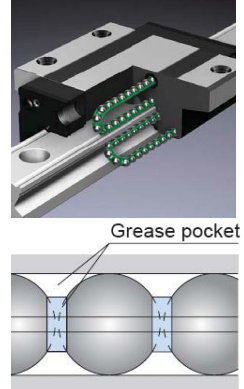
ISOLATED PISTON



- Unique design isolates the piston from the applied load, extending the service life of the piston seals

RECIRCULATING BALL BEARINGS

- Field replaceable, low profile THK recirculating ball bearings reduce friction and extend actuator life
- Grease pocket between ball elements: reduces friction, noise and maintenance
- Benefits include: Large permissible moment loads; High speed operation, low heat generation; High precision, smooth, low friction motion



Applications:

- Animatronic robots
- Automotive
- Bag positioning
- Carton filling
- Clamping
- Conveying
- Conveyor door control
- Diverting
- Material Handling
- Packaging
- Palletizing
- Pick & place
- Pull-off system
- Test stands
- Transfer station
- Theater animations
- Wire winding
- and many more

Standard Features:

Mounting
Direct mount via head bolts; US Standard or Metric;

Carrier
Large flexible mounting pattern

Sensors
Internal magnet

Porting
4 ported heads; NPT, Metric Parallel (ISO-G/BSP) & Metric Taper (Rc/BST) available on both metric and US standard mount actuators

Available Options:

Mounting
Tube clamps; Foot mounts

Carrier
Auxiliary carrier

Sensors
Reed, Solid State PNP or NPN, all available normally open or normally closed

Porting
Single end porting

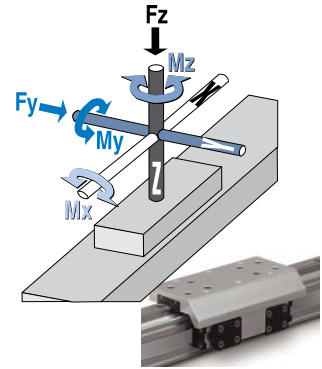
Shock Absorbers
Fixed or adjustable position shocks

PROFILED RAIL BEARING RODLESS BAND CYLINDER

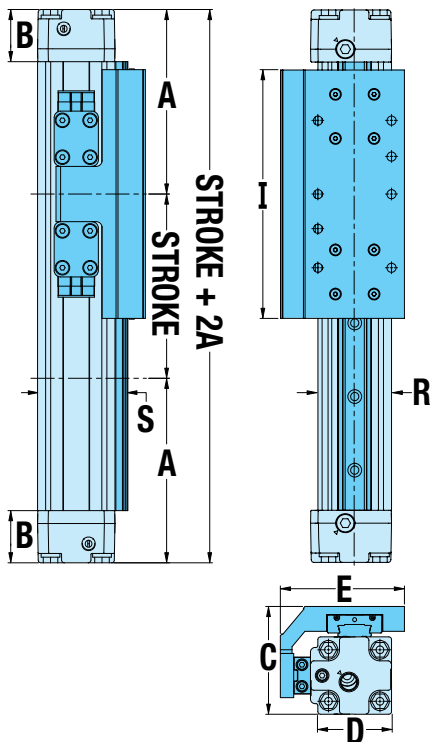
MXP-P

BORE	BENDING MOMENTS			LOAD Fy/Fz	THRUST (at 100 PSI)
	Mx	My	Mz		
16	39	339	339	217	30.7
25	126	502	502	449	78.5
32	226	1344	1344	569	123
40	600	1913	1913	736	177
50	811	3483	3483	1014	314
63	1019	5339	5339	1292	491

BORE	BENDING MOMENTS			LOAD Fy/Fz	THRUST (at 6.9 bar)
	Mx	My	Mz		
16	4.5	38.3	38.3	966	136
25	14.3	56.7	56.7	1996	349
32	25.6	152	152	2531	546
40	67.8	216	216	3274	786
50	91.7	394	394	4510	1,397
63	115	603	603	5745	2,184



Dimensions



	16	25	32	40	50	63
A	3.13	3.94	4.89	5.79	6.26	8.42
B	0.55	1.11	1.50	1.50	1.97	1.97
C	1.81	2.30	3.05	3.53	4.71	5.51
D	1.19	1.58	2.18	2.52	3.10	3.94
E	1.78	2.65	3.25	3.85	4.62	5.65
I	4.33	5.31	6.69	7.87	8.50	12.00
R	1.18	1.58	2.13	2.52	3.10	3.94
S	1.40	1.91	2.48	2.89	3.69	4.53

Dimensions in inches

	16	25	32	40	50	63
A	79.6	100.2	124.1	147.1	159.1	213.8
B	14.0	28.3	38.1	38.0	50.0	50.0
C	46.0	58.5	77.4	89.7	119.7	140.0
D	30.1	42.0	55.4	64.0	78.7	100.0
E	45.3	67.4	82.5	97.8	117.4	143.6
I	100.0	135.0	170.0	200.0	216.0	304.8
R	30.0	40.0	54.0	64.0	78.7	100.0
S	35.5	48.6	62.9	73.5	93.7	115.0

Dimensions in millimeters

TolomaticTM
EXCELLENCE IN MOTION

COMPANY WITH
QUALITY SYSTEM
CERTIFIED BY DNV GL
= ISO 9001 =
Certified site: Hamel, MN

USA

Tolomatic Inc.
3800 County Road 116
Hamel, MN 55340, USA
Phone: (763) 478-8000
Fax: (763) 478-8080
Toll-Free: **1-800-328-2174**
sales@tolomatic.com
www.tolomatic.com

CHINA

**Tolomatic Automation Products
(Suzhou) Co. Ltd.**
(ServoWeld® inquiries only)
No. 60 Chuangye Street, Building 2
Huqiu District, SND Suzhou
Jiangsu 215011 - P.R. China
Phone: +86 (512) 6750-8506
Fax: +86 (512) 6750-8507
ServoWeldChina@tolomatic.com

EUROPE

Tolomatic Europe GmbH
Elisabethenstr. 20
65428 Rüsselsheim
Germany
Phone: +49 6142 17604-0
help@tolomatic.eu

All brand and product names are trademarks or registered trademarks of their respective owners. Information in this document is believed accurate at time of printing. However, Tolomatic assumes no responsibility for its use or for any errors

that may appear in this document. Tolomatic reserves the right to change the design or operation of the equipment described herein and any associated motion products without notice. Information in this document is subject to change without notice.

Visit www.tolomatic.com for the most up-to-date technical information