

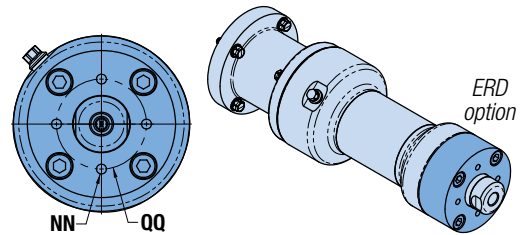
The RSH (Rod-Style Hygienic) actuator product family was developed as an enhanced replacement for the ERD22, ERD25 & ERD30 product series. Because of the design improvements over the existing ERD, the RSH was not able to be fully backwards compatible. *Below is a summary of the differences that should be taken into consideration when comparing ERD and RSH assemblies.*



FRONT FACE MOUNTING

Due to the addition of a removable seal cartridge and increased diameter on the front head, all RSH models have a larger bolt circle and tapped holes than that of the corresponding ERD.

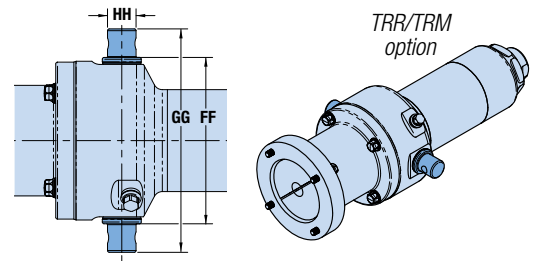
A mounting adapter is available that will match the equivalent size ERD, but will increase the overall length.



TRUNNIONS

An Improved thrust bearing design in the RSH required an increase in diameter of the rear bearing housing. As a result, the width between the trunnions has increased.

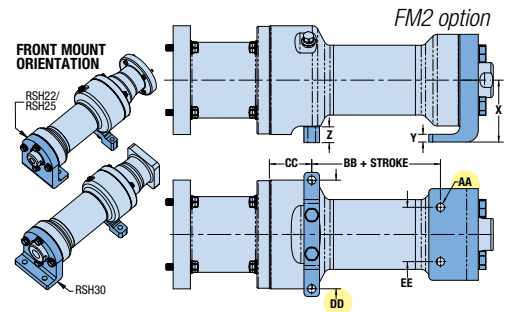
Mating trunnion blocks for existing equipment utilizing this opinion with a comparable ERD units will need to be spaced farther apart to accommodate this change.



FOOT MOUNTS

Hole spacing and thread size on the RSH remains the same as the equivalent ERD (ref DD & AA at right) design changes to the RSH will cause the location of the foot mounts relative to each other (front & rear) to change.

For the RSH22 & RSH25 sizes this spacing is shorter than the equivalent ERD. On the RSH30 the spacing will increase



MOUNTING OPTIONS

Rear clevis (PCD) and USDA scraper (HYG1) options are not available on the RSH. Contact Tolomatic for support when replacing ERD units with these options



tolomatic.com/CAD

CAD Models for the RSH are available via the Tolomatic Model builder



For more information go to the RSH page at tolomatic.com

RSH - Improving upon the ERD Hygienic

Features: ERD

THREADED ROD END

- Compatible with many commercially available metric rod end accessories
- Standard metric threads

GREASE PORT

- Screw re-lubrication system provides extended screw life
- Convenient lubrication without disassembly

SMOOTH EXTERIOR

Polished, contoured mating surface designed to provide IP69K seal for today's hygienic servo motors

WELDED SEAMS

Leaving no gaps which eases cleanup and helps to prevent bacterial growth

STATIC IP69K OPTION

- To withstand high-pressure wash-down
- Clean-in-place compatible

BREATHER/PURGE PORT

Helps prevent contaminants from entering into actuator

Improvements: RSH

ROBUST DESIGN

- Up to 89% higher force capability for the RSH22 ball screw options
- Increased DLR ratings on most screw options

FRONT FACE SEALING O-RING

Hygienic design from head to toe

THREADED ROD END

- Compatible with many commercially available metric rod end accessories
- Standard metric threads

GREASE PORT

- Screw re-lubrication system provides extended screw life
- Convenient lubrication without disassembly

CARTRIDGE W/ REPLACEABLE SEALS

Quick seal cartridge replacement without special tools

DUAL SEAL SYSTEM

Use the dual seal system that provides the longest life in your application

ALL POLISHED 316 STAINLESS STEEL WITH SMOOTH EXTERIOR

- 316 series stainless steel for corrosion resistance
- Simplifies and lowers cost of machine design by eliminating the need for protective guards around standard actuators

WELDED SEAMS

Leaving no gaps which eases cleanup and helps to prevent bacterial growth

STATIC IP69K RATED (STANDARD)

- To withstand high-pressure wash-down
- Clean-in-place compatible

HYGIENIC BREATHER/PURGE PORT

Helps prevent contaminants from entering into actuator

HYGIENIC STAINLESS STEEL FASTENERS

- Standard metric threads
- Hex fasteners for sturdy construction without potential particle collection areas
- Included for your motor: EHEDG compliant 316 stainless seal sealed bolts



MADE IN U.S.A.

TolomaticTM
EXCELLENCE *IN* MOTION

COMPANY WITH
QUALITY SYSTEM
CERTIFIED BY DNV
= ISO 9001 =
Certified site: Hamel, MN

USA - Headquarters

Tolomatic Inc.
3800 County Road 116
Hamel, MN 55340, USA
Phone: (763) 478-8000
Toll-Free: **1-800-328-2174**
sales@tolomatic.com
www.tolomatic.com

MEXICO

Centro de Servicio
Parque Tecnológico Innovación
Int. 23, Lateral Estatal 431,
Santiago de Querétaro,
El Marqués, México, C.P. 76246
Phone: +1 (763) 478-8000
help@tolomatic.com

EUROPE

Tolomatic Europe GmbH
Elisabethenstr. 20
65428 Rüsselsheim
Germany
Phone: +49 6142 17604-0
help@tolomatic.eu
www.tolomatic.com/de-de

CHINA

**Tolomatic Automation Products
(Suzhou) Co. Ltd.**
No. 60 Chuangye Street, Building 2
Huqiu District, SND Suzhou
Jiangsu 215011 - P.R. China
Phone: +86 (512) 6750-8506
TolomaticChina@tolomatic.com

All brand and product names are trademarks or registered trademarks of their respective owners. Information in this document is believed accurate at time of printing. However, Tolomatic assumes no responsibility for its use or for any errors

that may appear in this document. Tolomatic reserves the right to change the design or operation of the equipment described herein and any associated motion products without notice. Information in this document is subject to change without notice.

Visit www.tolomatic.com for the most up-to-date technical information