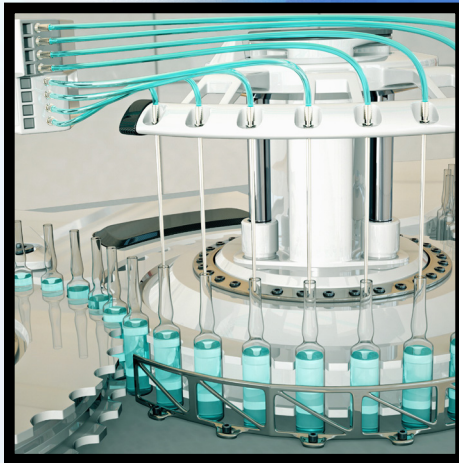


LIFE SCIENCES LINEAR ACTUATORS



LIFE SCIENCES LINEAR ACTUATORS

Tolo Quality = Total Quality



- State-of-the-Art inspection equipment
- Tolomatic is ISO 9001:2015 certified
- Strong quality culture & processes
- Future certification: ISO 13485



Broad Catalog & Capability



- Electric rod-style & rodless actuators
- Pneumatic rodless actuators
- Standard products: stroke & option configurable
- Modified and customized products available

Industry best lead times



- Multiple production shifts
- In-house machining & plating

Fast delivery • Built-to-Order

Known for our Customer Service



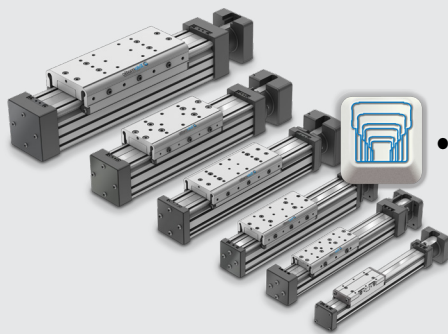
Helpful, professional and friendly.

State-of-the-Art Manufacturing Facility

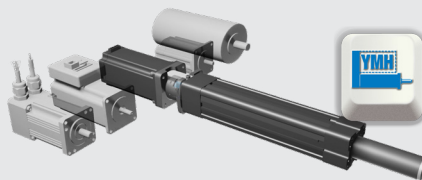
- 100,000 sq. ft. (9 290 sq m)
- Minnesota, USA
- Design, Manufacturing, & Assembly
- Since 1954



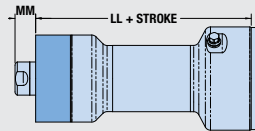
Flexible Catalog Product Lines



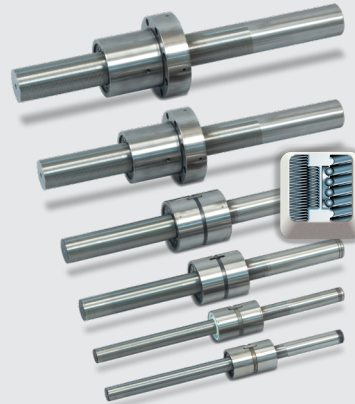
• Many sizes



• Flexible options:
 ◦ Rod ends,
 ◦ Actuator mounting,
 ◦ Sensors,
 ◦ Seals,
 ◦ Your Motor Here, etc.



• Stroke configurable



• Multiple different screw and belt driven offerings

Collaborative Engineering



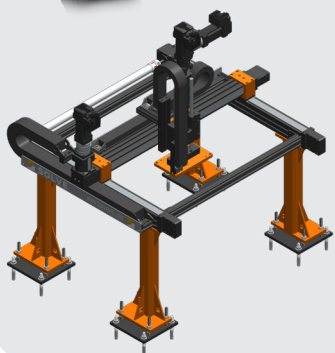
• Flexibility to co-design



• On-line sizing software



• 3-D CAD drawings on-line

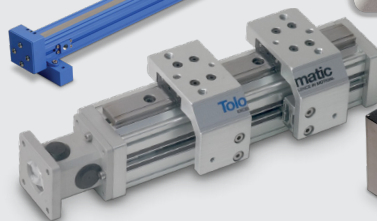


• Value added services (subassembly) to simplify BOM's for OEM's/ machine builders

Tailored Solutions




• Modified standard products



• Custom 'Blank sheet of paper' design



DECADES OF TOLOMATIC LIFE SCIENCES



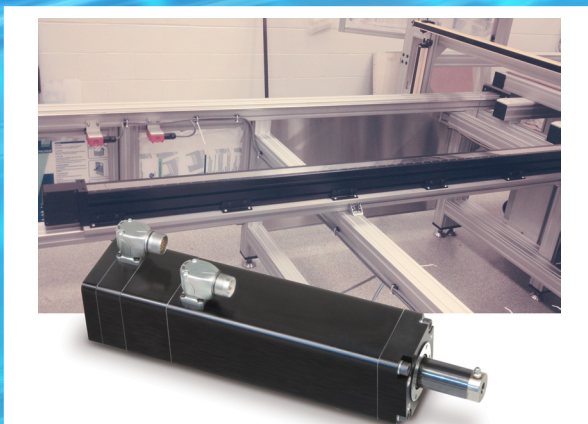
CATHETER COATING
Challenge: Apply uniform coating to a variety of length and diameter catheters
Product Used: Custom Electric Rodless Screw-Drive Actuator



PROCEDURE EQUIPMENT
Challenge: Regulate contrast injector flow precisely to ensure successful procedures.
Product Used: Custom Electric Rod-Style Screw-Drive Actuator



BLOW/FILL/SEAL MACHINERY
Challenge: Precision aseptic liquid dispensing combined with blow mold technology.
Product Used: Custom Electric Rod-Style Screw-Drive Actuator



ULTRASONIC WELDING GANTRY SYSTEM
Challenge: Applying ultrasonic welds to large medical waste bags
Product Used: B3W Rodless Belt-Drive Actuator and IMA Integrated Servo Rod-Style Actuators

AND MEDICAL APPLICATIONS



Life Science
Success Stories



PHARMACEUTICAL MANUFACTURING

Challenge: Operation of door/gate to separate vials prior to sealing.

Product Used: IMAS Integrated Servo Electric Linear Rod-Style Actuators



FLUID INJECTION

Challenge: Fluid injection machine required very precise, consistent movement (speed & thrust) to meter injection of fluid.

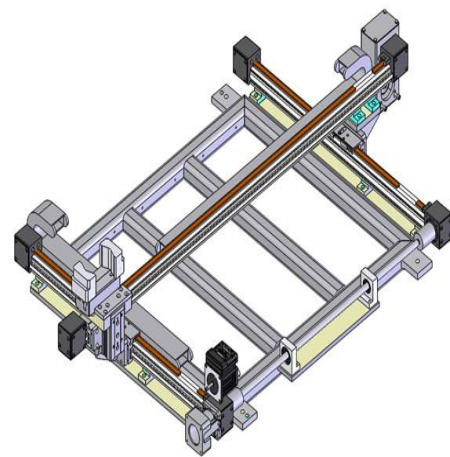
Product Used: RSA12 Electric Rod-Style Screw-Drive Actuator



PPE (MASK) MANUFACTURING

Challenge: Create a new generation mask-making machine based on the automated workcell concept to improve efficiency, quality and throughput.

Product Used: B3W Rodless Actuators & GSA Guided Rod-Style Actuators



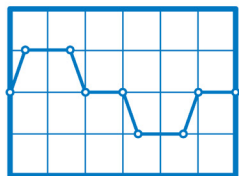
PILL SORTER

Challenge: Automatic pill sorting gantry for large retailers.

Product Used: MXB-P Heavy-Duty Linear Rodless Actuator

DESIGN COLLABORATION CAPABILITIES

Engineers trust Tolomatic from design to production



**ACTUATOR
SIZING**



**CAD
LIBRARY**



**YOUR MOTOR
HERE®**

***Useful Online
Design Tools***



**CONTACT AN
ENGINEER**



**EDUCATIONAL
RESOURCES**

Your challenge . . .

Our broad array of products fix problems every day in the medical field. But if existing actuators don't exactly meet your unique challenge our engineering staff can design an actuator that does.

Let's solve it together

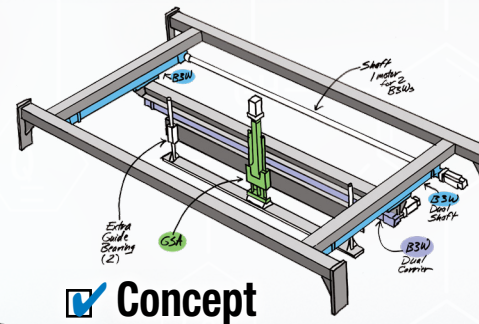
Our greatest successes happen when we engage closely with customer's engineers refining or creating entirely new actuators. Refining product requirements per customer needs is in our DNA at Tolomatic..



START DESIGNING YOUR SOLUTION

We offer 3 different levels of design options to find the right fit for your new medical product.

Work directly with our engineering team to see options and evaluate pro's and con's.



Concept

Level 1 Designs; Standard

- Standard product and standard options
- On-line Sizing Software
- "Your Motor Here" flexibility
- 3-D on-line CAD files available

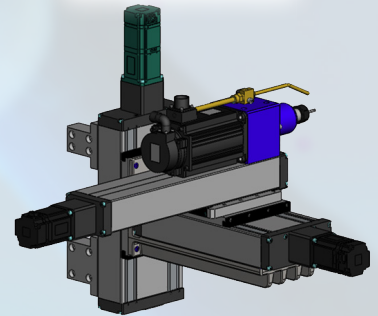


Can't find what you need for this design...?

Level 2 Designs; Modified

- Modifying standard products or non-catalog options
- Engineering discussions with Tolomatic
- Factory provided quotes & pricing
- Lab testing on actuator performance (component only)
- Factory provided drawings

Engineering Collaboration

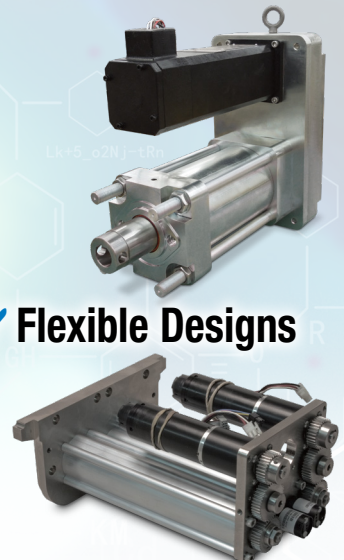


STILL can't find what you need for this design...?

Level 3 Designs; Customized

- Custom designs (white sheet of paper)
- Design engineering and development costs may apply
- Only done for larger volumes
- Factory acceptance testing of actuator

Flexible Designs



The Tolomatic Difference Expect More From the Industry Leader:



INNOVATIVE PRODUCTS

Solutions with Endurance TechnologySM for challenging applications.



FAST DELIVERY

Built-to-order with configurable stroke lengths and flexible mounting options.



ACTUATOR SIZING

Size and select electric actuators with our online software.



YOUR MOTOR HERE[®]

Match your motor to compatible mounting plates with Tolomatic actuators.



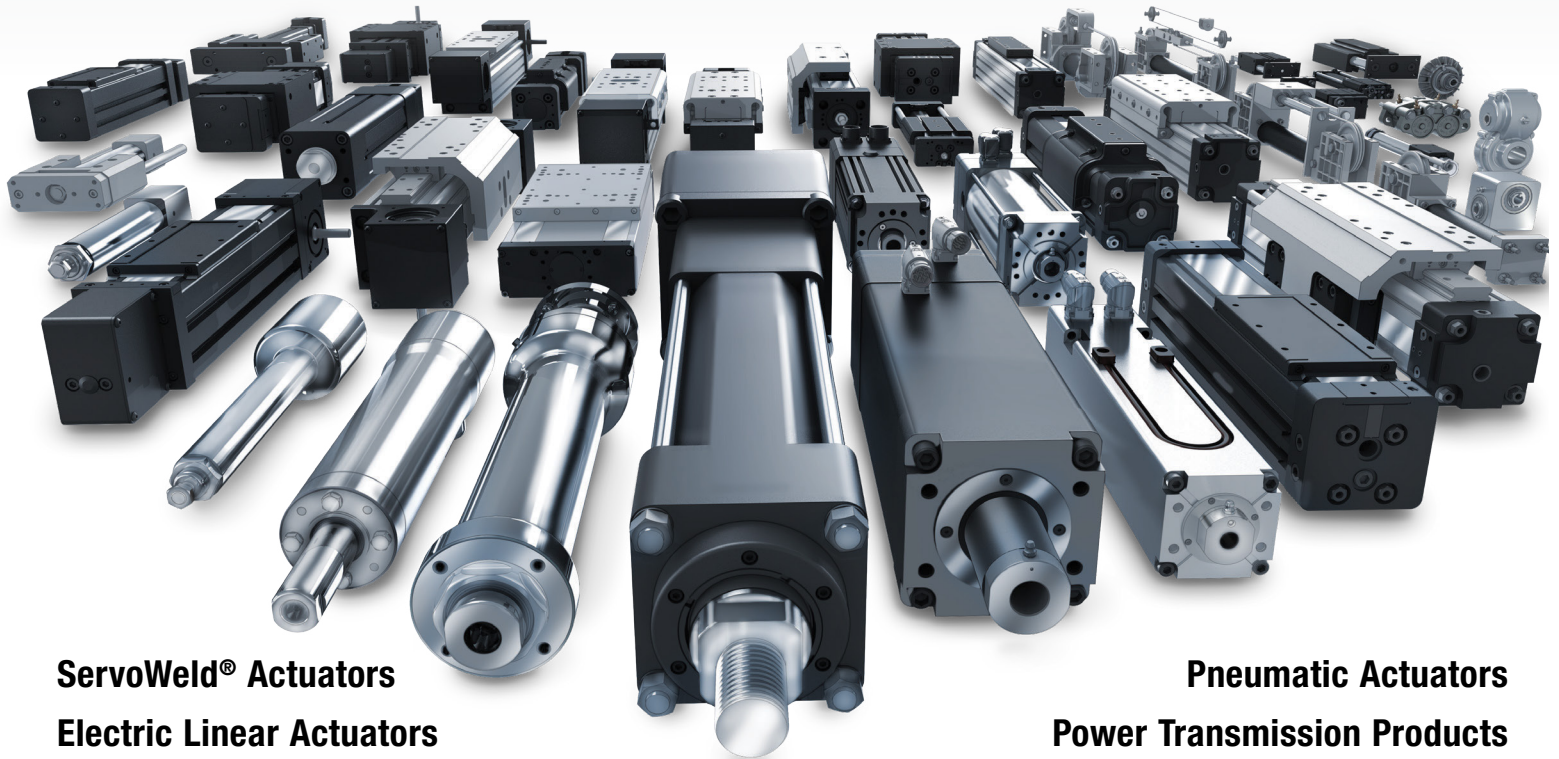
CAD LIBRARY

Download 2D or 3D CAD files for Tolomatic products.



TECHNICAL SUPPORT

Get a question answered or request a virtual design consultation with one of our engineers.



ServoWeld[®] Actuators
Electric Linear Actuators

Pneumatic Actuators
Power Transmission Products



MADE IN U.S.A.

TolomaticTM

EXCELLENCE IN MOTION

COMPANY WITH
QUALITY SYSTEM
CERTIFIED BY DNV
= ISO 9001 =
Certified site: Hamel, MN

USA - Headquarters

Tolomatic Inc.
3800 County Road 116
Hamel, MN 55340, USA
Phone: (763) 478-8000
Toll-Free: **1-800-328-2174**
sales@tolomatic.com
www.tolomatic.com

MEXICO

Centro de Servicio
Parque Tecnológico Innovación
Int. 23, Lateral Estatal 431,
Santiago de Querétaro,
El Marqués, México, C.P. 76246
Phone: +1 (763) 478-8000
help@tolomatic.com

EUROPE

Tolomatic Europe GmbH
Elisabethenstr. 20
65428 Rüsselsheim
Germany
Phone: +49 6142 17604-0
help@tolomatic.eu
www.tolomatic.com/de-de

CHINA

Tolomatic Automation Products (Suzhou) Co. Ltd.
No. 60 Chuangye Street, Building 2
Huqiu District, SND Suzhou
Jiangsu 215011 - P.R. China
Phone: +86 (512) 6750-8506
Tolomatic_China@tolomatic.com

All brand and product names are trademarks or registered trademarks of their respective owners. Information in this document is believed accurate at time of printing. However, Tolomatic assumes no responsibility for its use or for any errors

that may appear in this document. Tolomatic reserves the right to change the design or operation of the equipment described herein and any associated motion products without notice. Information in this document is subject to change without notice.

Visit www.tolomatic.com for the most up-to-date technical information