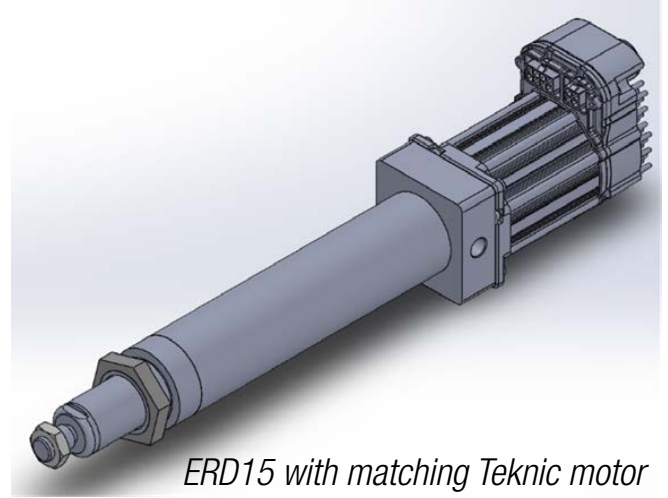


### Need an actuator fast?

**ERD15 Ball Screw Actuator package with Teknic Clearpath MC integrated drive motor and cables. Available to ship within one week!**

- Ideal for pneumatic replacement and prototyping
- Digital I/O communication with up to 16 programmable moves
- Free, easy to use software
- 2 different stroke length and ball screw options
- Built-in anti-rotate feature for thrust rod
- 24-75VDC Operating voltage range
- **Available to order online at [tolomatic.com/erd](http://tolomatic.com/erd)**

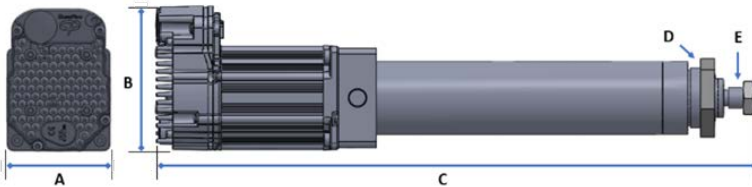


### Specifications: ERD15 Quick Ship Actuators

Part Number	Screw Lead	Stroke Length*	Max Speed	Cont. Thrust	Peak Thrust
<b>2192-0290</b>	5 mm	150 mm (5.91 in)	275 mm/s (10.8 in/s)	650 N (146 lbf)	890 N (200 lbf)
<b>2192-0291</b>	10 mm	150 mm (5.91 in)	550 mm/s (21.7 in/s)	325 N (73 lbf)	
<b>2192-0292</b>	5 mm	300 mm (11.81 in)	275 mm/s (10.8 in/s)	650 N (146 lbf)	
<b>2192-0293</b>	10 mm	300 mm (11.81 in)	550 mm/s (21.7 in/s)	325 N (73 lbf)	

\*Stroke does not include room for over-travel. It is recommended to use less than full stroke during operation to avoid over-travel and crashing the unit.

### Dimensions:



Stroke	A	B	C	D	E
150	59	82	391	M34 x 1.5	M12 x 1.75
300			541		

above dimensions in mm

Stroke	A	B	C	D	E
5.91	2.32	3.23	15.39	M34 x 1.5	M12 x 1.75
11.81			21.30		

above dimensions in in.

The ERD actuator is mounted via the jam nut (D) on the nose of the unit and fits in a 34mm hole on any mounting surface up to 7mm thick

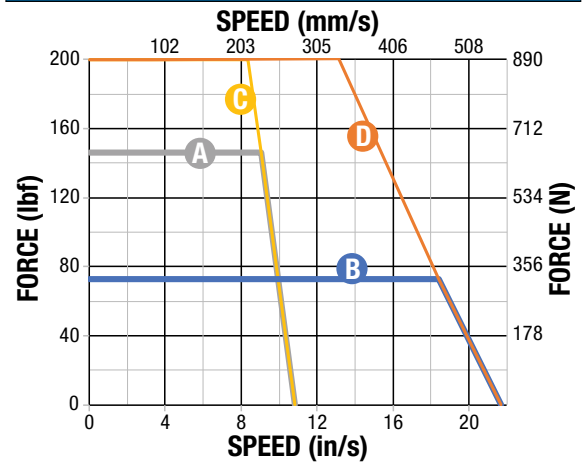
Teknic 75VDC power supply also available in stock

**Teknic Power supply part number: 3604-9386**

*Note: One (1) Teknic power supply can run up to two (2) motors*

**IP rating:** 40 (static). **Full IP67 Option** available with longer lead times, contact Tolomatic for more information.

### Performance:



<b>A</b>	BNM05 Cont. Force	<b>C</b>	BNM05 Peak Force
<b>B</b>	BNM10 Cont. Force	<b>D</b>	BNM10 Peak Force

**Helpful Links:** [Teknic Motor webpage](#), [Teknic MC Webpage](#), [Teknic MC Startup Guide](#), [Tolomatic ERD Webpage](#)